



PRO ALW94B

5MP | 2.8MM



Smart
265

Onvif

3D
DNR

PoE/DC12V
Power

3D
DNR

Auto-
electronic
shuttle

HTTPS
encrypted
transmission

Onvif,
email,
NTP
service

CERTIFIED BY
RoHS | **CE**

■ Introduction

Human detection IP module, S.265/H.265/H.264 compression format, max 5MP 2592*1944 @25fps, built-in amplifier board, D-WDR, 3D DNR, support Onvif, support to draw area to detect alarm.

■ Features

- Resolution 5MP 2592*1904@25fps
- Built-in humanoid detection algorithm
- Detection frame 5fps, detect 5-10 people at the same time
- Low consumption, low code stream, low delay
- S.265 compression format, save bandwidth and storage space
- Support Smart IR to avoid infrared over-exposure at night
- Support PoE/DC12V Power
- Support 3D DNR and digital WDR
- Support auto-electronic shuttle to suit different surveillance environment
- Support HTTPS encrypted transmission
- Support Onvif, email, NTP service

PROSECURE-F200 01 2024 1.0 001

Key Features

- Human detection IP module, S.265/H.265/H.264 compression format,
- max 5MP 2592*1944 @25fps, built-in amplifier board, D-WDR, 3D
- DNR, support Onvif, support to draw area to detect alarm.
- Resolution 5MP 2592*1904@25fps
- Built-in humanoid detection algorithm
- Detection frame 5fps, detect 5-10 people at the same time
- Low consumption, low code stream, low delay
- S.265 compression format, save bandwidth and storage space

Redesigned technical summary in Hikvision-style table layout. All original pages are appended after this branded section to preserve the exact original model numbers, specifications, diagrams, and descriptions.

Technical Specifications

Category	Parameter	Value
General	PRO	ALW94B
	Human	detection IP module, S.265/H.265/H.264 compression format,
	max	5MP 2592*1944 @25fps, built-in amplifier board, D-WDR, 3D DNR, support Onvif, support
	Resolution	5MP 2592*1904@25fps
	Built-in	humanoid detection algorithm
	Detection	frame 5fps, detect 5-10 people at the same time
	Low	consumption, low code stream, low delay
	S.265	compression format, save bandwidth and storage space
	Support	Smart IR to avoid Infrared over-exposure at night
	Support	PoE/DC12V Power
	Support	3D DNR and digital WDR
	Support	auto-electronic shuttle to suit different surveillance
	environment	Support HTTPS encrypted transmission
Support	Onvif, email, NTP service	
PRO	ALW94B 5MP-2.8MM	
Humanoid Size	Humanoid	pixel≥40X40
Detection Mode	Support	static and dynamic humanoid detection

Category	Parameter	Value
Detection Method	Image	detection during day or night time with lights or IR
Detection Area	Appointed	area, default full-screen
Upload Method	Upload	it under private protocol S.265/H.265/H.264
Encoding Feature	Main	stream: 5MP (2592*1904) \4MP (2560*1440)
	\3MP(2304*1296) \2MP (1920*1080) 25FPS	Sub-stream: D1(720*576) \VGA(640*480) \Q720P(640*360) 5MP 2592*1904
Video Code Rate	Fixed	code rate, variable code rate (main stream: 1024Kbps
Video Type	Composited	stream/video stream
Audio Standard	G.711u/G.711A	64Kbps
Model No	PRO	ALW94B-5MP-2.8 1/2.7", 5MP low illumination CMOS sensor 2.8mm (3.6/6/8mm option
IR Distance	Visual	distance 50 meters 8pcs Array Led
Mirror	Off/horizontal	mirror/vertical mirror/180° flip Brightness, contrast, sharpness, saturation, chroma
Network Port	RJ45	10M/100M network self-adaptation
Power Supply	PoE/	DC12V (option) 220*125*115mm
Network Protocol	TCP/P, UDP, HTTP, HTTPS, DHCP, PPTP, RTMP, DNS, UPNP, FTP	
Connection Protocol	Onvif, GB28181 (option)	Preview Numbers Simultaneously
Security Mode	Authorized	user name and password, HTTPS encryption,
	AES	connecting encryption, RTSP verification
Motion Detection	Set	detection area, can set multi-level sensitivity
Occlusion Alarm	Support	1 area
Privacy Mask	Support	4 areas Capture, send Email, Alarm output
Device Abnormal Inspection	Support	network broken alarm, IP conflict alarm, illegal visiting alarm
Character Overlay (Osd)	Title, time and date overlay, multi-line, and character optional	
	PRO	ALW94B 5MP-2.8MM
Dimension drawing	Revision	V: 001 Revision Date: 10/01/2024
	Paper	Size A4 Release Date: 10/01/2024

See appended original pages for the remaining specification detail, dimensional drawings, accessories, and diagrams.

PRO ALW94B

5MP | 2.8MM



Smart
265

S265

Onvif

ONVIF



5MP



0.01 Lux

Illumination



Human Detect



Motion Detect



Network



D-WDR



■ Introduction

Human detection IP module, S.265/H.265/H.264 compression format, max 5MP 2592*1944 @25fps, built-in amplifier board, D-WDR, 3D DNR, support Onvif, support to draw area to detect alarm.

■ Features

- Resolution 5MP 2592*1904@25fps
- Built-in humanoid detection algorithm
- Detection frame 5fps, detect 5-10 people at the same time
- Low consumption, low code stream, low delay
- S.265 compression format, save bandwidth and storage space
- Support Smart IR to avoid Infrared over-exposure at night
- Support PoE/DC12V Power
- Support 3D DNR and digital WDR
- Support auto-electronic shuttle to suit different surveillance environment
- Support HTTPS encrypted transmission
- Support Onvif, email, NTP service

Specification

Camera

Model No	PRO ALW94B-5MP-2.8
Sensor	1/2.7", 5MP low illumination CMOS sensor
Lens	2.8mm (3.6/6/8mm optional)
Pixel	2592*1904
D-WDR	D-WDR (Off/Low/Middle/High)
D/N	IR/Smart full color
3D DNR	Off/Low/Middle/High/Higher
IR Distance	Visual distance 50 meters
IR Led	8pcs Array Led
Mirror	Off/horizontal mirror/vertical mirror/180° flip
Image Setting	Brightness, contrast, sharpness, saturation, chroma

Humanoid Detection

Detection Quantity	5-10 person
Humanoid Size	Humanoid pixel≥40X40
Max Detection Frame	5fps/s
Track People	Support
Detection Mode	Support static and dynamic humanoid detection
Detection Method	Image detection during day or night time with lights or IR Led
Detection Area	Appointed area, default full-screen
Upload Method	Upload it under private protocol
Trigger Method	Video trigger

General

Power Supply	PoE/ DC12V (option)
Package Size	220*125*115mm
Water Proof	IP66
Working Temperature	-10°C ~ 50°C
Working Humidity	0%~90%

Audio & Video Encoding

Standard	S.265/H.265/H.264
Encoding Feature	Main stream: 5MP (2592*1904) \4MP (2560*1440) \3MP(2304*1296) \2MP (1920*1080) 25fps Sub-stream: D1(720*576) \VGA(640*480) \Q720P(640*360)
Max Resolution	5MP 2592*1904
Video Code Rate	Fixed code rate, variable code rate (main stream: 1024Kbps-8000kbps)
Video Type	Composited stream/video stream
Audio Standard	G.711u/G.711A 64Kbps

Network Function

Network Protocol	TCP/P, UDP, HTTP, HTTPS, DHCP, PPPoE, HTTP, HTTPS, RTSP, RTMP, DDNS, UPNP, FTP
Connection Protocol	Onvif, GB28181 (option)
Preview Numbers Simultaneously	4
Security Mode	Authorized user name and password, HTTPS encryption, AES connecting encryption, RTSP verification
Motion Detection	Set detection area, can set multi-level sensitivity
Occlusion Alarm	Support 1 area
Privacy Mask	Support 4 areas
Schedule Linkage	Snapshot, email
Event Linkage	Capture, send Email, Alarm output
Device Abnormal Inspection	Support network broken alarm, IP conflict alarm, illegal visiting alarm
Character Overlay (Osd)	Title, time and date overlay, multi-line, and color of characters optional

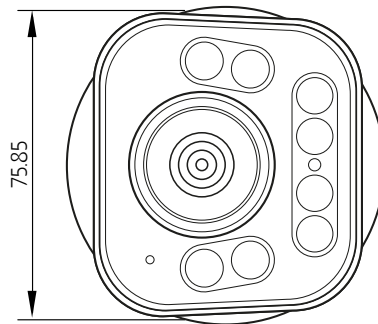
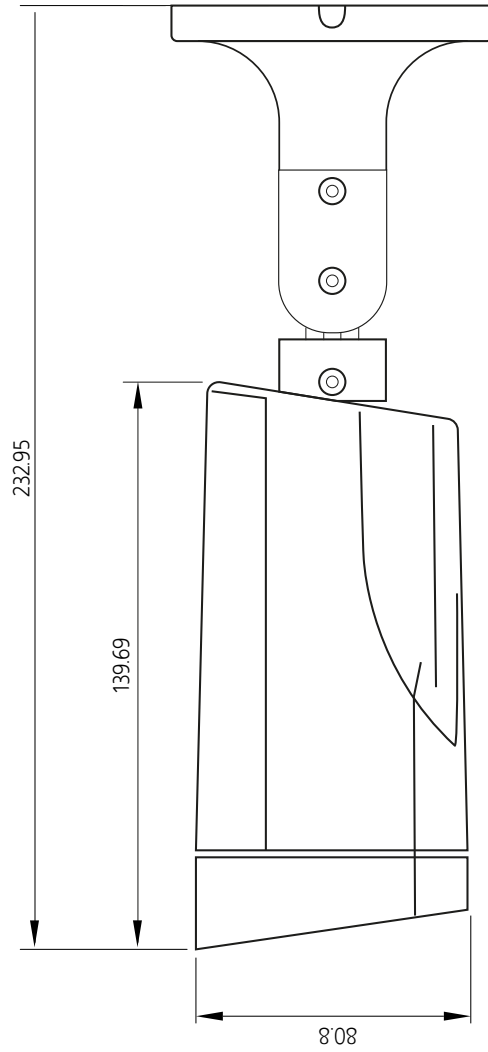
Port

Network Port	RJ45 10M/100M network self-adaptation
Audio	MIC Input
Amplifier	Built-in amplifier board



Dimension drawing

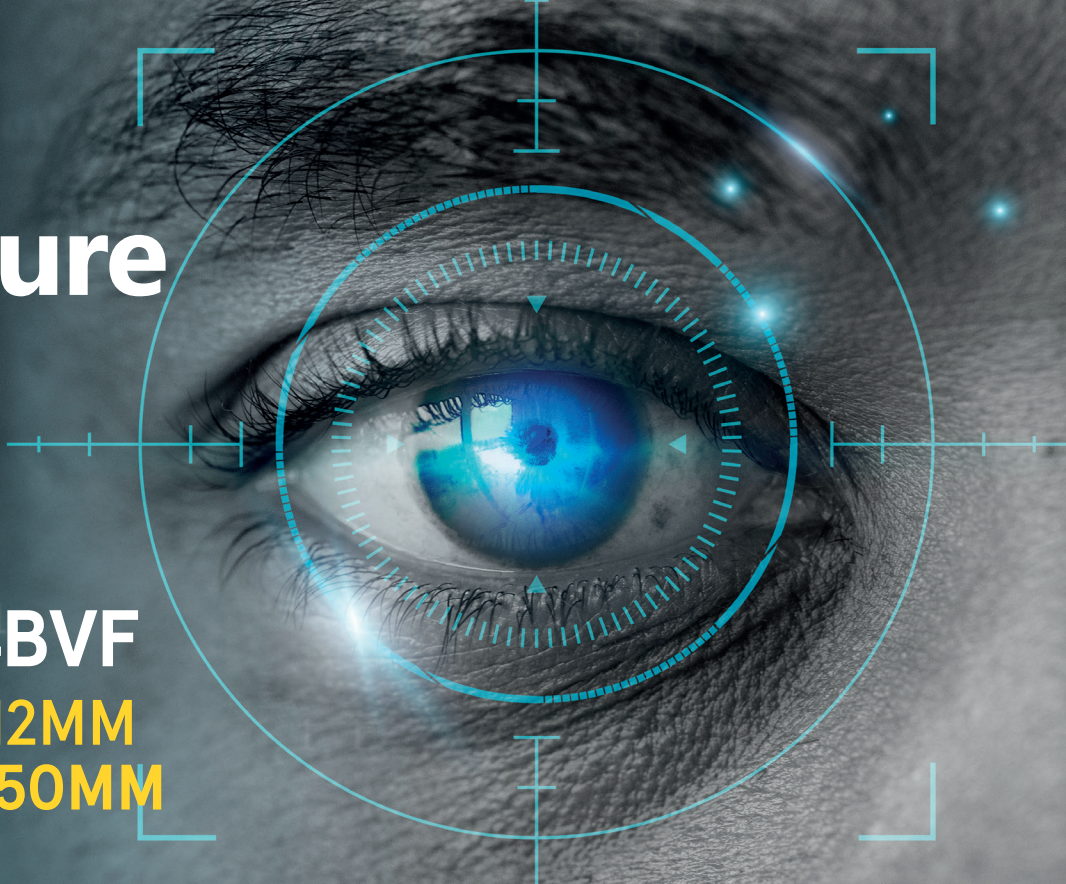
PRO ALW94B | 5MP-2.8MM



Revision	V: 001	Revision Date:	10/01/2024
Paper Size	A4	Release Date:	10/01/2024



PRO ALW94BVF
5MP | 2.8MM-12MM
5MP | 5.0MM-50MM



Smart
265

S265

Onvif

ONVIF



5MP



0.01 Lux

Illumination



Human Detect



Motion Detect



Network



D-WDR

CERTIFIED BY
RoHS | CE



■ Introduction

Human detection IP module, S.265/H.265/H.264 compression format, max 5MP 2592*1944 @25fps, built-in amplifier board, WDR, 3D DNR, support Onvif, support to draw area to detect alarm Vari Focal, motorized lens.

■ Features

- Resolution 5MP 2592*1904@25fps
- Built-in humanoid detection algorithm
- Detection frame 5fps, detect 5-10 people at the same time
- Low consumption, low code stream, low delay
- S.265 compression format, save bandwidth and storage space
- Support Smart IR to avoid Infrared over-exposure at night
- Support PoE/DC12V Power
- Support 3D DNR ,WDR and Defog
- Support auto-electronic shuttle to suit different surveillance environment
- Support HTTPS encrypted transmission
- Support Onvif, email, NTP service

PRO ALW94BVF | 5MP-2.8MM-12MM

Specification

Camera

Model No	PRO ALW94BVF-5MP-2.8-12MM/5.0-50MM
Sensor	1/2.8", 5MP low illumination CMOS
Lens	Standard 2.8-12mm /5.0-50MM
Pixel	2592*1904
WDR	WDR (Off/Low/Middle/H)
D/N	Smart IR/SMART Full Color
3D DNR	Off/Low/Middle/High/Higher
IR Distance	Visual distance 50 meters
IR Led	30PCS IR or warm/Smart full color
Mirror	Off/horizontal mirror/vertical mirror/180° flip
Image Setting	Brightness, Contrast, Sharpness, Saturation, Chroma

Humanoid Detection

Detection Quantity	5-10 person
Humanoid Size	Humanoid pixel ≥40X40
Max Detection Frame	5fps/s
Track People	Support
Detection Mode	Support static and dynamic humanoid detection
Detection Method	Image detection during day or night time with lights or IR Leds
Detection Area	Appointed area, default full-screen
Upload Method	Upload it under private protocol
Trigger Method	Video trigger

General

Power Supply	PoE/ DC12V (option)
Package Size	220*125*115mm
Water proof	IP66
Working Temperature	-10°C ~ 50°C
Working Humidity	0%~90%

Audio & Video Encoding

Standard	S.265/H.265/H.264
Encoding Feature	Main stream: 5MP (2592*1904) \4MP (2560*1440) \3MP(2304*1296) \2MP (1920*1080) 25fps Sub-stream: D1(720*576) \VGA(640*480) \Q720P(640*360)
Max Resolution	5MP 2592*1904
Video Code Rate	Fixed code rate, variable code rate (main stream:1024Kbps-8000kbps)
Video Type	Composited stream/video stream
Audio Standard	G.711u/ G.711A 64Kbps

Network Function

Network protocol	TCP/P, UDP, HTTP, HTTPS, DHCP, PPPoE, HTTP, HTTPS, RTSP, RTMP, DDNS, UPNP, FTP
Connection Protocol	Onvif, GB28181 (option)
Preview numbers simultaneously	4
Security Mode	Authorized user name and password, HTTPS encryption, AES connecting encryption, RTSP verification
Motion Detection	Set detection area, can set multi-level sensitivity
Occlusion Alarm	Support 1 area
Privacy Mask	Support 4 areas
Schedule Linkage	Snapshot, email
Event Linkage	Capture, send Email, Alarm output
Device Abnormal Inspection	Support network broken alarm, IP conflict alarm, illegal visiting alarm
Character Overlay (OSD)	Title, time and date overlay, multi-line, and color of characters optional

Port

Network Port	RJ45 10M/100M network self-adaptation
Audio	MIC Input
Amplifier	Built-in amplifier board



PRO ALW94BVF

5MP | 5.0MM-50MM

Smart
265

S265

ONVIF

ONVIF



5MP



0.01 Lux

Illumination



Human Detect



Motion Detect



Network



D-WDR

CERTIFIED BY
RoHS | **CE**



■ Introduction

Human detection IP module, S.265/H.265/H.264 compression format, max 5MP 2592*1944 @25fps, built-in amplifier board, WDR, 3D DNR, support Onvif, support to draw area to detect alarm Vari Focal, motorized lens.

■ Features

- Resolution 5MP 2592*1904@25fps
- Built-in humanoid detection algorithm
- Detection frame 5fps, detect 5-10 people at the same time
- Low consumption, low code stream, low delay
- S.265 compression format, save bandwidth and storage space
- Support Smart IR to avoid Infrared over-exposure at night
- Support PoE/DC12V Power
- Support 3D DNR ,WDR and Defog
- Support auto-electronic shuttle to suit different surveillance environment
- Support HTTPS encrypted transmission
- Support Onvif, email, NTP service

PRO ALW94BVF | 5MP-2.8MM-12MM

Specification

Camera

Model No	PRO ALW94BVF-5MP-5.0-50MM
Sensor	1/2.8", 5MP low illumination CMOS
Lens	Standard 5.0-50MM
Pixel	2592*1904
WDR	WDR (Off/Low/Middle/H)
D/N	Smart IR/SMART Full Color
3D DNR	Off/Low/Middle/High/Higher
IR Distance	Visual distance 50 meters
IR Led	30PCS IR or warm/Smart full color
Mirror	Off/horizontal mirror/vertical mirror/180° flip
Image Setting	Brightness, Contrast, Sharpness, Saturation, Chroma

Humanoid Detection

Detection Quantity	5-10 person
Humanoid Size	Humanoid pixel ≥40X40
Max Detection Frame	5fps/s
Track People	Support
Detection Mode	Support static and dynamic humanoid detection
Detection Method	Image detection during day or night time with lights or IR Leds
Detection Area	Appointed area, default full-screen
Upload Method	Upload it under private protocol
Trigger Method	Video trigger

General

Power Supply	PoE/ DC12V (option)
Package Size	220*125*115mm
Water proof	IP66
Working Temperature	-10°C ~ 50°C
Working Humidity	0%~90%

Audio & Video Encoding

Standard	S.265/H.265/H.264
Encoding Feature	Main stream: 5MP (2592*1904) \4MP (2560*1440) \3MP(2304*1296) \2MP (1920*1080) 25fps Sub-stream: D1(720*576) \VGA(640*480) \Q720P(640*360)
Max Resolution	5MP 2592*1904
Video Code Rate	Fixed code rate, variable code rate (main stream:1024Kbps-8000kbps)
Video Type	Composited stream/video stream
Audio Standard	G.711u/ G.711A 64Kbps

Network Function

Network protocol	TCP/P, UDP, HTTP, HTTPS, DHCP, PPPoE, HTTP, HTTPS, RTSP, RTMP, DDNS, UPNP, FTP
Connection Protocol	Onvif, GB28181 (option)
Preview numbers simultaneously	4
Security Mode	Authorized user name and password, HTTPS encryption, AES connecting encryption, RTSP verification
Motion Detection	Set detection area, can set multi-level sensitivity
Occlusion Alarm	Support 1 area
Privacy Mask	Support 4 areas
Schedule Linkage	Snapshot, email
Event Linkage	Capture, send Email, Alarm output
Device Abnormal Inspection	Support network broken alarm, IP conflict alarm, illegal visiting alarm
Character Overlay (OSD)	Title, time and date overlay, multi-line, and color of characters optional

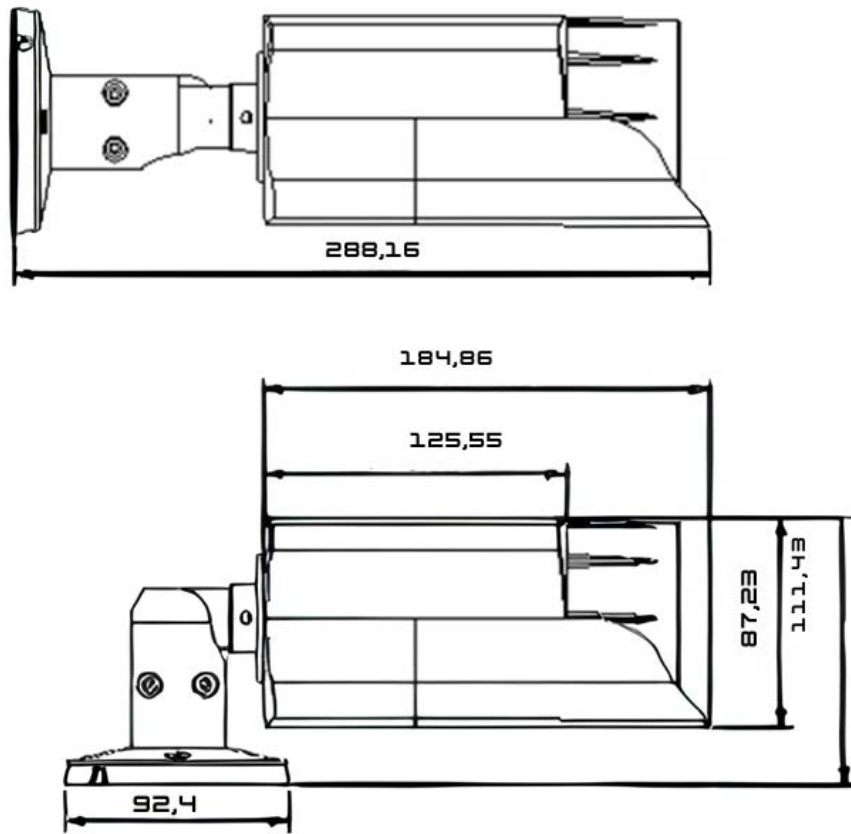
Port

Network Port	RJ45 10M/100M network self-adaptation
Audio	MIC Input
Amplifier	Built-in amplifier board

Dimension drawing

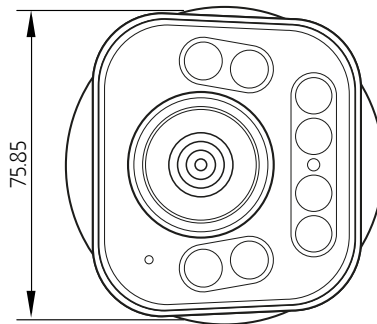
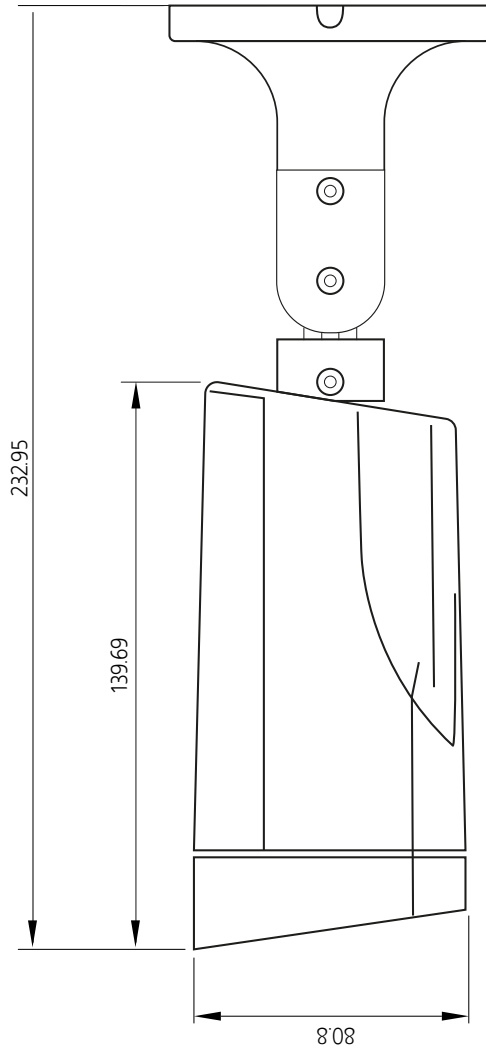
PRO ALW94BVF | 5MP-5.00MM-50MM

Revision	V: 001	Revision Date:	10/01/2024
Paper Size	A4	Release Date:	10/01/2024



Dimension drawing

PRO ALW94BVF | 5MP-2.8MM-12MM



Revision	V: 001	Revision Date:	10/01/2024
Paper Size	A4	Release Date:	10/01/2024



PRO ALW94D

5MP | 2.8MM



S265



ONVIF



5MP



0.01 Lux



Human Detect



Motion Detect



Network



D-WDR



■ Introduction

Human detection IP module, S.265/H.265/H.264 compression format, max 5MP 2592*1944 @25fps, built-in amplifier board, D-WDR, 3D DNR, support Onvif, support to draw area to detect alarm.

■ Features

- Resolution 5MP 2592*1904@25fps,
- Built-in humanoid detection algorithm;
- Detection frame 5fps, detect 5-10 people at the same time;
- Low consumption, low code stream, low delay;
- S.265 compression format, save bandwidth and storage space;
- Support Smart IR to avoid Infrared over-exposure at night;
- Support PoE/DC12V Power
- Support 3D DNR and digital WDR;
- Support auto-electronic shuttle to suit different surveillance environment
- Support HTTPS encrypted transmission
- Support Onvif, email, NTP service

PRO ALW94D | 5MP-2.8MM

Specification

Camera

Model No	PRO ALW94D-5MP-2.8
Sensor	1/2.7", 5MP low illumination CMOS sensor
Lens	2.8mm (3.6/6/8mm optional)
Pixel	2592*1904
D-WDR	D-WDR (Off/Low/Middle/High)
D/N	IR
3D DNR	Off/Low/Middle/High/Higher
IR Distance	Visual distance 50 meters
IR Led	8pcs Array Led
Mirror	Off/horizontal mirror/vertical mirror/180° flip
Image Setting	Brightness, Contrast, Sharpness, Saturation, Chroma

Humanoid Detection

Detection Quantity	5-10 person
Humanoid Size	Humanoid pixel≥40X40
Max Detection Frame	5fps/s
Track People	Support
Detection Mode	Support static and dynamic humanoid detection
Detection Method	Image detection during day or night time with lights or IR Led
Detection Area	Appointed area, default full-screen
Upload Method	Upload it under private protocol
Trigger Method	Video trigger

General

Power Supply	PoE/ DC12V (option)
Package Size	220*125*115mm
Water proof	IP56
Working Temperature	-10°C ~ 50°C
Working Humidity	0%~90%

Audio & Video Encoding

Standard	S.265/H.265/H.264
Encoding Feature	Main stream: 5MP (2592*1904) \4MP (2560*1440) \3MP(2304*1296) \2MP (1920*1080) 25fps Sub-stream: D1(720*576) \VGA(640*480) \Q720P(640*360)
Max Resolution	5MP 2592*1904
Video Code Rate	Fixed code rate, variable code rate (main stream: 1024Kbps-8000kbps)
Video Type	Composited stream/video stream
Audio Standard	G.711u/ G.711A 64Kbps

Network Function

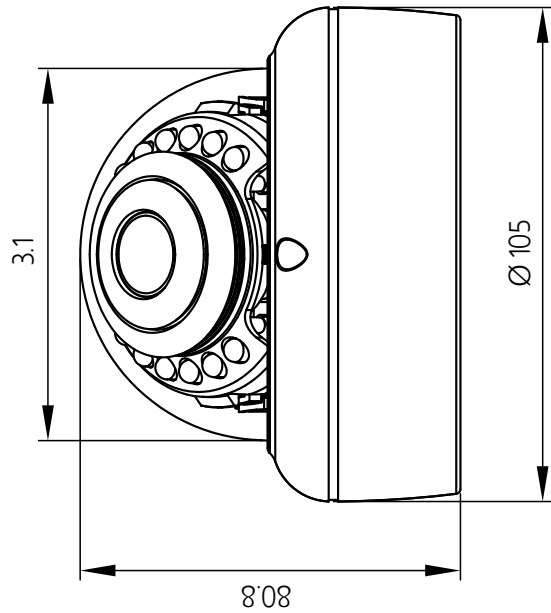
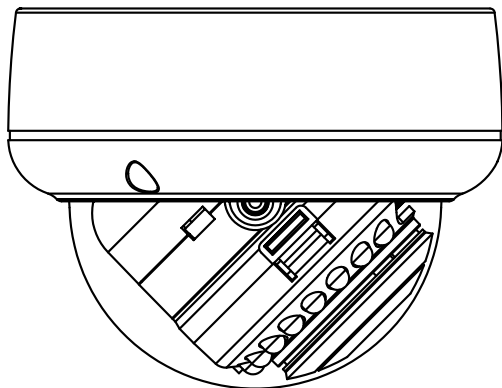
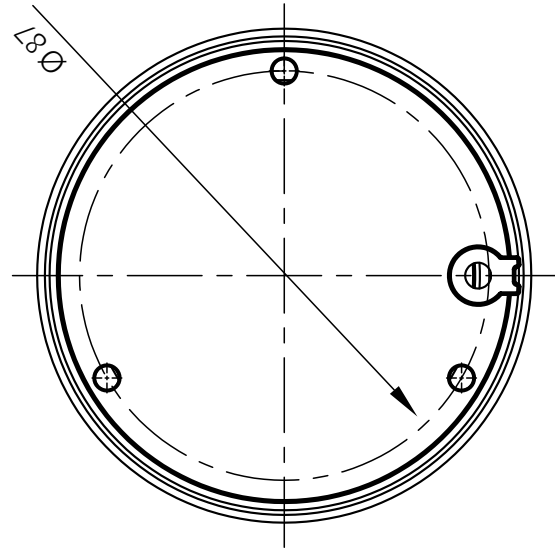
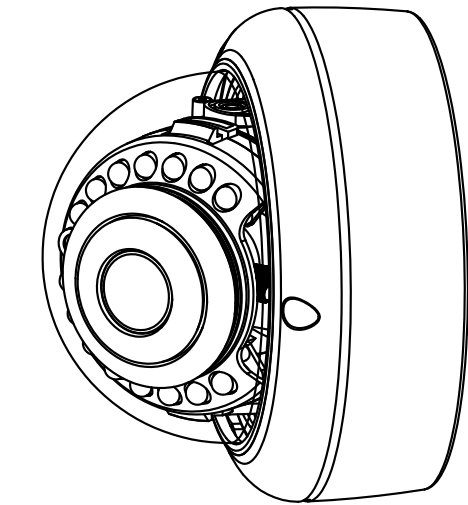
Network protocol	TCP/P, UDP, HTTP, HTTPS, DHCP, PPPoE, HTTP, HTTPS, RTSP, RTMP, DDNS, UPNP, FTP
Connection Protocol	Onvif, GB28181 (option)
Preview numbers simultaneously	4
Security Mode	Authorized user name and password, HTTPS encryption, AES connecting encryption, RTSP verification
Motion Detection	Set detection area, can set multi-level sensitivity
Occlusion Alarm	Support 1 area
Privacy Mask	Support 4 areas
Schedule Linkage	Snapshot, email
Event Linkage	Capture, send Email, Alarm output
Device Abnormal Inspection	Support network broken alarm, IP conflict alarm, illegal visiting alarm
Character Overlay (OSD)	Title, time and date overlay, multi-line, and color of characters optional

Port

Network Port	RJ45 10M/100M network self-adaptation
Audio	MIC Input
Amplifier	Built-in amplifier board

Dimension drawing

PRO ALW94D | 5MP-2.8MM



Revision	V: 001	Revision Date:	10/01/2024
Paper Size	A4	Release Date:	10/01/2024



PRO ALW94DVF

5MP | 2.8MM-12MM



S265



ONVIF



5MP



0.01 Lux



Human Detect



Motion Detect



Network



D-WDR

CERTIFIED BY
RoHS | CE



■ Introduction

Human detection IP module, S.265/H.265/H.264 compression format, max 5MP 2592*1944 @25fps, built-in amplifier board, D-WDR, 3D DNR, support Onvif, support to draw area to detect alarm Vari Focal, motorized lens.

■ Features

- Resolution 5MP 2592*1904@25fps,
- Built-in humanoid detection algorithm;
- Detection frame 5fps, detect 5-10 people at the same time;
- Low consumption, low code stream, low delay;
- S.265 compression format, save bandwidth and storage space;
- Support Smart IR to avoid Infrared over-exposure at night;
- Support PoE/DC12V Power
- Support 3D DNR ,WDR and Defog;
- Support auto-electronic shuttle to suit different surveillance environment
- Support HTTPS encrypted transmission
- Support Onvif, email, NTP service

PRO ALW94DVF | 5MP-2.8MM-12MM

Specification

Camera

Model No	PRO ALW94DVF-5MP-2.8-12MM
Sensor	1/2.8", 5MP low illumination CMOS
Lens	Standard 2.8-12mm motorized lens
Pixel	2592*1904
WDR	WDR (Off/Low/Middle/H)
D/N	Smart IR
3D DNR	Off/Low/Middle/High/Higher
IR Distance	Visual distance 50 meters
IR Led	30PCS
Mirror	Off/horizontal mirror/vertical mirror/180° flip
Image Setting	Brightness, Contrast, Sharpness, Saturation, Chroma

Humanoid Detection

Detection Quantity	5-10 person
Humanoid Size	Humanoid pixel≥40X40
Max Detection Frame	5fps/s
Track People	Support
Detection Mode	Support static and dynamic humanoid detection
Detection Method	Image detection during day or night time with lights or IR Leds
Detection Area	Appointed area, default full-screen
Upload Method	Upload it under private protocol
Trigger Method	Video trigger

General

Power Supply	PoE/ DC12V (option)
Package Size	220*125*115mm
Water proof	NA
Working Temperature	-10°C ~ 50°C
Working Humidity	0%~90%

Audio & Video Encoding

Standard	S.265/H.265/H.264
Encoding Feature	Main stream: 5MP (2592*1904) \4MP(2560*1440) \3MP(2304*1296) \2MP (1920*1080) 25fps Sub-stream: D1(720*576) \VGA(640*480) \Q720P(640*360)
Max Resolution	5MP 2592*1904
Video Code Rate	Fixed code rate, variable code rate (main stream:1024Kbps-8000kbps)
Video Type	Composited stream/video stream
Audio Standard	G.711u/ G.711A 64Kbps

Network Function

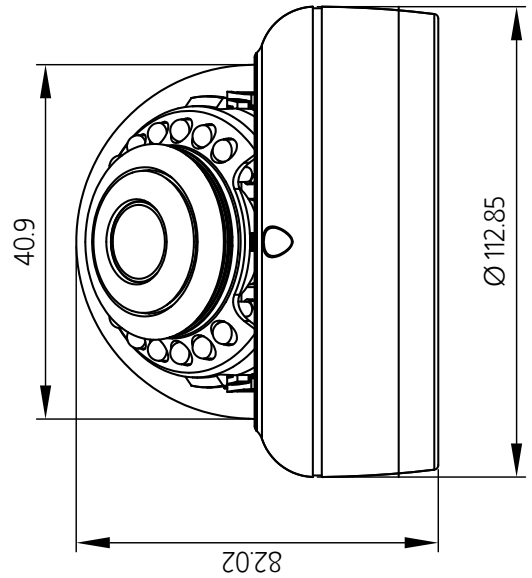
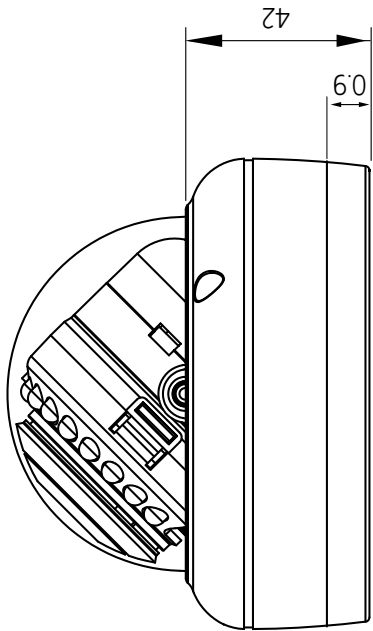
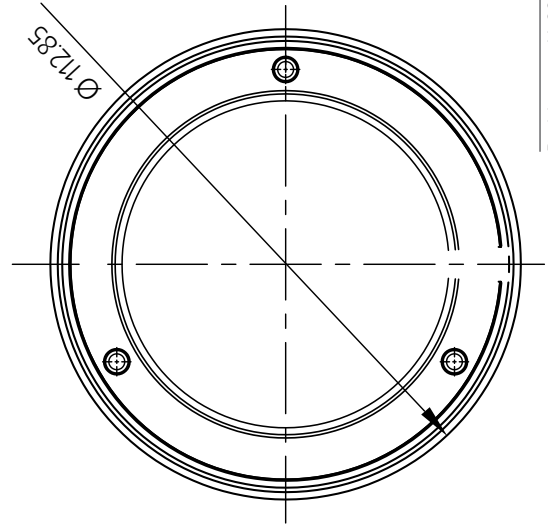
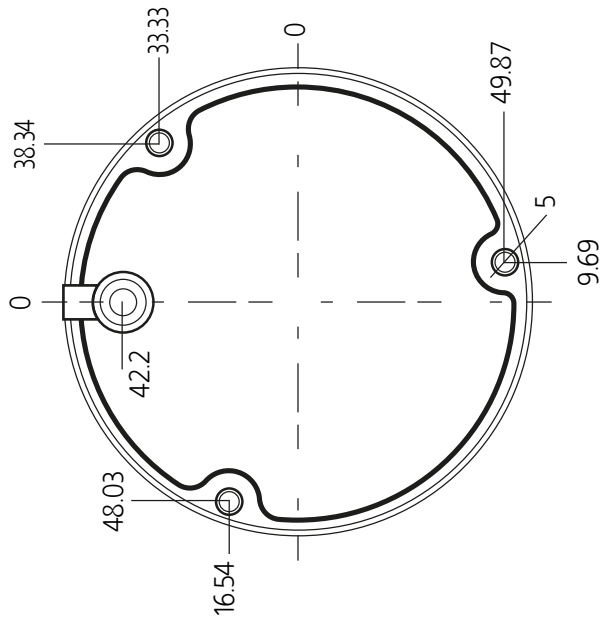
Network protocol	TCP/P, UDP, HTTP, HTTPS, DHCP, PPPoE, HTTP, HTTPS, RTSP, RTMP, DDNS, UPNP, FTP
Connection Protocol	Onvif, GB28181 (option)
Preview numbers simultaneously	4
Security Mode	Authorized user name and password, HTTPS encryption, AES connecting encryption, RTSP verification
Motion Detection	Set detection area, can set multi-level sensitivity
Occlusion Alarm	Support 1 area
Privacy Mask	Support 4 areas
Schedule Linkage	Snapshot, email
Event Linkage	Capture, send Email, Alarm output
Device Abnormal Inspection	Support network broken alarm, IP conflict alarm, illegal visiting alarm
Character Overlay (OSD)	Title, time and date overlay, multi-line, and color of characters optional

Port

Network Port	RJ45 10M/100M network self-adaptation
Audio	MIC Input
Amplifier	Built-in amplifier board

Dimension drawing

PRO ALW94DVF | 5MP-2.8MM-12MM



Revision	V: 001	Revision Date:	10/01/2024
Paper Size	A4	Release Date:	10/01/2024



PRO TS D25W



1080P



WIFI



Audio



Cloud



4X Zoom



Waterproof

CERTIFIED BY
RoHS | CE



■ Features

- 2.0-megapixel HD IP camera, maximum resolution 1920*1080;
- Support WIFI, support AP mode
- Support up to 128G TF card storage
- Built-in MIC, support voice monitor
- Optional 2.8/3.6(default)/6mm lens
- 12pcs infrared LEDs, night vision distance 20m
- Support P2P, view & anywhere & anytime
- Elegant outline and easy installation
- Provide android & iOS APP and professional CMS PC client software

TS-D25W

Specification

Camera

Model No	TS-D25W
Sensor	2.0-megapixel GK7205V200+1/2.8" SC2335 CMOS

Alarm

Motion detecting alarm	Can set 4 independent detection region (1-100 sensitivity can be set)
Alarm linkage	Alarm sends pictures to the mailbox, Alarm upload pictures and videos to the FTP server, Alarm record pictures and videos to Micro SD card, Alarm mobile phone message push
Alarm recording	Support Micro SD card and PC client linkage alarm recording

Storage

Micro SD card	Support up to 128G micro-SD card
Recording mode	Alarm record, timing record,
Video Playback	Support APP, IE browser, remote client plays and download the video

Network

Wireless	IEEE 802.11 b/g/n
Ethernet	RJ45 Ethernet
Onvif Protocol	Support ONVIF 2.4(backward compatible)

Audio & Video

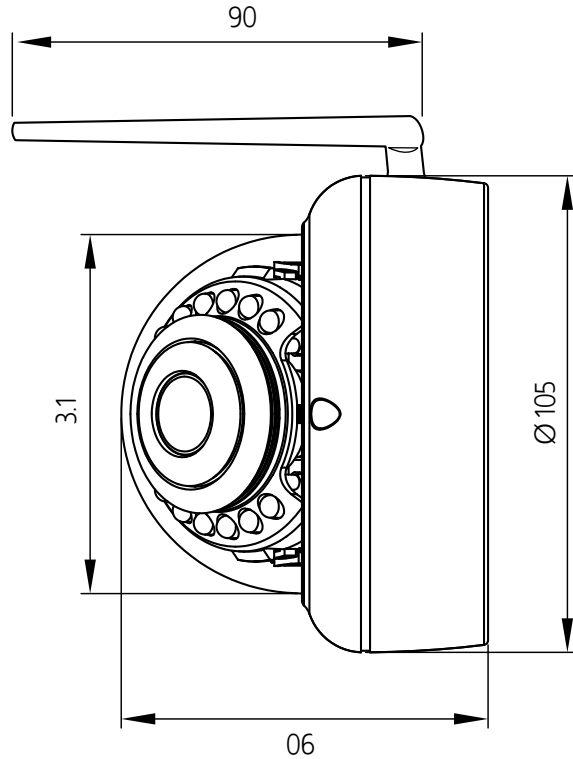
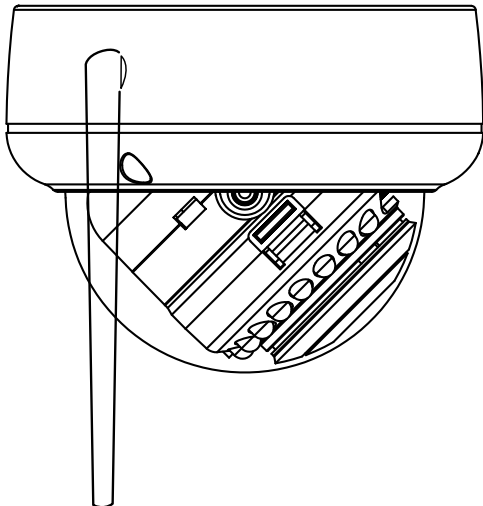
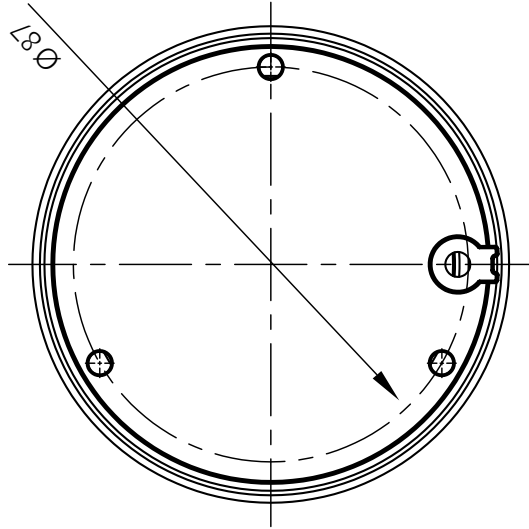
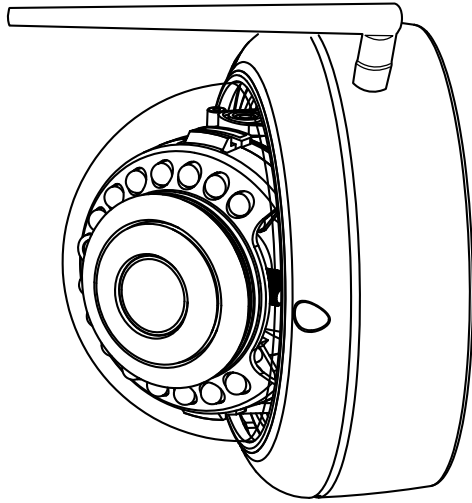
Video Resolution	Main stream: 1920x1080@25fps Sub stream: 640x352@25fps
Video Compression	H.264 / H.265
Lens	Optional 2.8/3.6(default)/6mm lens
View Angle	89.9°/75.7°(default)/50° based on lens
Night Vision	12pcs infrared LEDs, night vision distance 20m
Audio Compression	G.726/G.711
Audio Code Rate	Rate adaptive
Audio Input	Built-in MIC, support voice monitor

General

Power	DC12V 1A
Operating Environment	Environment -20°C~+60°C(-4°F~+140°F)
Humidity	10%~90%, non-condensing
Product Size	128mm×128mm×98mm(L×W×H)
Product Weight	0.5kg
Package Size	215mmx155mmx105mm (L×W×H)
Package Weight	0.7kg
ResetButton	Support

Dimension drawing

TS-D25W



Revision	V: 001	Revision Date:	10/01/2024
Paper Size	A4	Release Date:	10/01/2024



PRO IPC HFW2431DG

4G | SP LA-B



4MP



4G



LP Consumption



2-Way Talk



Build-in Memory



IP67

CERTIFIED BY
RoHS | CE



■ Introduction

H.265 encoding technology, Lite series network camera has efficient video encoding capacity, which saves bandwidth and storage space. This camera adopts the latest starlight technology and displays better color image in the condition of low illumination.

■ Features

- 4MP 1/3" CMOS image sensor, low luminance, and high-definition image.
- Outputs max. 4 MP (2688 × 1520) @25/30 fps.
- H.265 codec, high compression rate, ultra-low bit rate.
- Built-in warm light/IR LED.
- Sound and light alarm linkage. When the alarm is triggered, the sound and light will be linked.
- Built in high-performance 4G Module that suits all mobile networks. Installation is no longer limited to wired networks.
- Built-in PIR sensor that detects human body through passive infrared which is sensitive to body temperature.
- Built-in 8 GB eMMC memory chip that protects key records from being lost.

Features

- Supports solar power, making it ideal for use in locations that have exposure to sunlight.
- Standalone with built-in solar panel and battery, battery cycle life can last up to 10 days at the rate of 1-hour remote live view per day.
- Abnormality detection: Motion detection, video tampering, audio detection, SD card full, SD card error, network disconnection, IP conflict and illegal access.
- Supports max. 256 G Micro SD card; built in MIC and speaker; support two-way talk.
- IP67 protection.

Specification

Camera
Image Sensor
1/3" CMOS
Max. Resolution
2688 (H) × 1520 (V)
ROM
128MB
RAM
256MB
Scanning System
Progressive
Electronic Shutter Speed
Auto/Manual 1/3 s-1/100,000 s
Min. Illumination
0.01 Lux@F1.6 (Color,30IRE)
0.001 Lux@F1.6 (B/W,30IRE)
0 lux (Illuminator on)
S/N Ratio
>56 dB
Illumination Distance
IR: 50 m (164.04 ft)
Warm light: 30 m (98.43 ft)
Illuminator On/Off Control
Auto; Manual
Illuminator Number
1 (IR LED); 1 (Warm light)
Built-in Battery
Support 10000 mAh rechargeable lithium battery
PIR Sensor Distance
10 m (the height of device is 2.5 m, placed horizontally)
5 m (the height of the device is 2 m, placed at an angle of 30° from the horizontal)

Solar Module
Maximum Power
5 W
Cell Type
Monocrystalline
Operating Temperature
-40 °C to +60 °C (-40 °F to +140 °F)
Dimensions
230 mm × 150 mm × 2 mm (9.1" × 5.9" × 0.1") (L × W × H)
Standard Testing Condition
AM = 1.5, 25 °C (77 °F), 1000 W/m ² , SMQ + 12%

Battery
Battery Type
Lithium-ion
Capacity
10 Ah
Max. Charging Voltage
4.2 V
Operating Temperature
0 °C to +50 °C (+32 °F to +122 °F)
Battery Voltage
3.0 V to 4.2 V
Cycle Lifetime
General Mode: 1 day
Sleep Mode: 10 days (at the rate of 1-hour remote live view per day)
Battery Life
More than 500 cycles
Battery Weight
Approx. 190 g (0.42 lb)

Structure
Casing
Metal + plastic
Product Dimensions
247 mm × 219 mm×179 mm (9.72" × 8.62" × 7.05") (L × W × H)
Packaging Dimensions
238 mm×181 mm×296 mm (9.37"×7.13"×11.65") (L × W × H)
Net Weight
1250 g (2.80 lb)
Gross Weight
1610 g (3.50 lb)

Environment
Operating Temperature
0 °C to +50 °C (+32 °F to +122 °F)
Operating Humidity
≤ 95%
Storage Temperature
0 °C to +50 °C (+32 °F to +122 °F)
Protection
IP67



Specification

POE NVR ALW94-36-4SATA | 36CH K4-8MP NVR

Video

Video Compression

H.265; H.264; H.264H; H.264B; MJPEG (Only supported by the sub stream)

Video Frame Rate

Main stream: 2688 × 1520 @ (1-25/30 fps)
Sub stream: 704 × 576 @ (1-25 fps)/704 × 480 @ (1-30 fps)

Stream Capability

2 streams

Resolution

4M (2688 × 1520); 4M (2560 × 1440); 3M (2304 × 1296); 1080p (1920 × 1080); 1.3M (1280 × 960); 720p (1280 × 720); D1 (704 × 576/704 × 480); VGA (640 × 480); CIF (352 × 288/352 × 240)

Bit Rate Control

CBR/VBR

Video Bit Rate

H.264: 32 kbps-8192 kbps H.265: 32 kbps-8192 kbps

Day/Night

Auto (ICR)/Color/B/W

BLC

Yes

HLC

Yes

WDR

120 dB

Scene Self-adaptation (SSA)

Yes

White Balance

Auto; natural; street lamp; outdoor; manual; regional custom

Gain Control

Auto

Noise Reduction

3D NR

Motion Detection

OFF/ON (4 areas, rectangular)

Region of Interest (RoI)

Yes (4 areas)

Smart Illumination

Yes

Mirror

Yes

Privacy Masking

4 areas

Audio

Built-in MIC

Yes

Built-in Speaker

Yes

Audio Compression

G.711a;G.711Mu; G.726; PCM

Network

Network Port

RJ-45 (10/100 Base-T)

Frequency

4G:
 FDD-LTE: B1/2/3/4/5/7/8/12/17/28/66 TDD-LTE: B38/40
 Applicable region: Latin America
3G:
 WCDMA: B1/2/3/4/5/8
 Applicable region: Latin America
2G:
 GSM/GPRS/EDGE: B2/3/5/8
 Applicable region: Latin America

SDK and API

Yes

Cyber Security

Video encryption; firmware encryption; configuration encryption; Digest; WSSE; account lockout; security logs; IP/MAC filtering; generation and importing of X.509 certification; syslog; HTTPS; 802.1x; trusted boot; trusted execution; trusted upgrade

Network Protocol

IPv4; IPv6; HTTP; TCP; UDP; ARP; RTP; RTSP; RTCP; RTMP; SMTP; FTP; SFTP; DHCP; DNS; DDNS; QoS; UPnP; NTP; Multicast; ICMP; IGMP; NFS; SAMBA; PPPoE; SNMP

Interoperability

ONVIF (Profile S/Profile G); CGI; P2P

User/Host

20 (Total bandwidth: 80 M)

Storage

Built in eMMC (8 GB); FTP/SFTP; Micro SD card (support max. 256 GB); NAS

Browser

IE: IE8,9,11
 Chrome
 Firefox

Management Software

DSS; DMSS

Mobile Client

iOS; Android

Port

Power

1 Micro USB Port

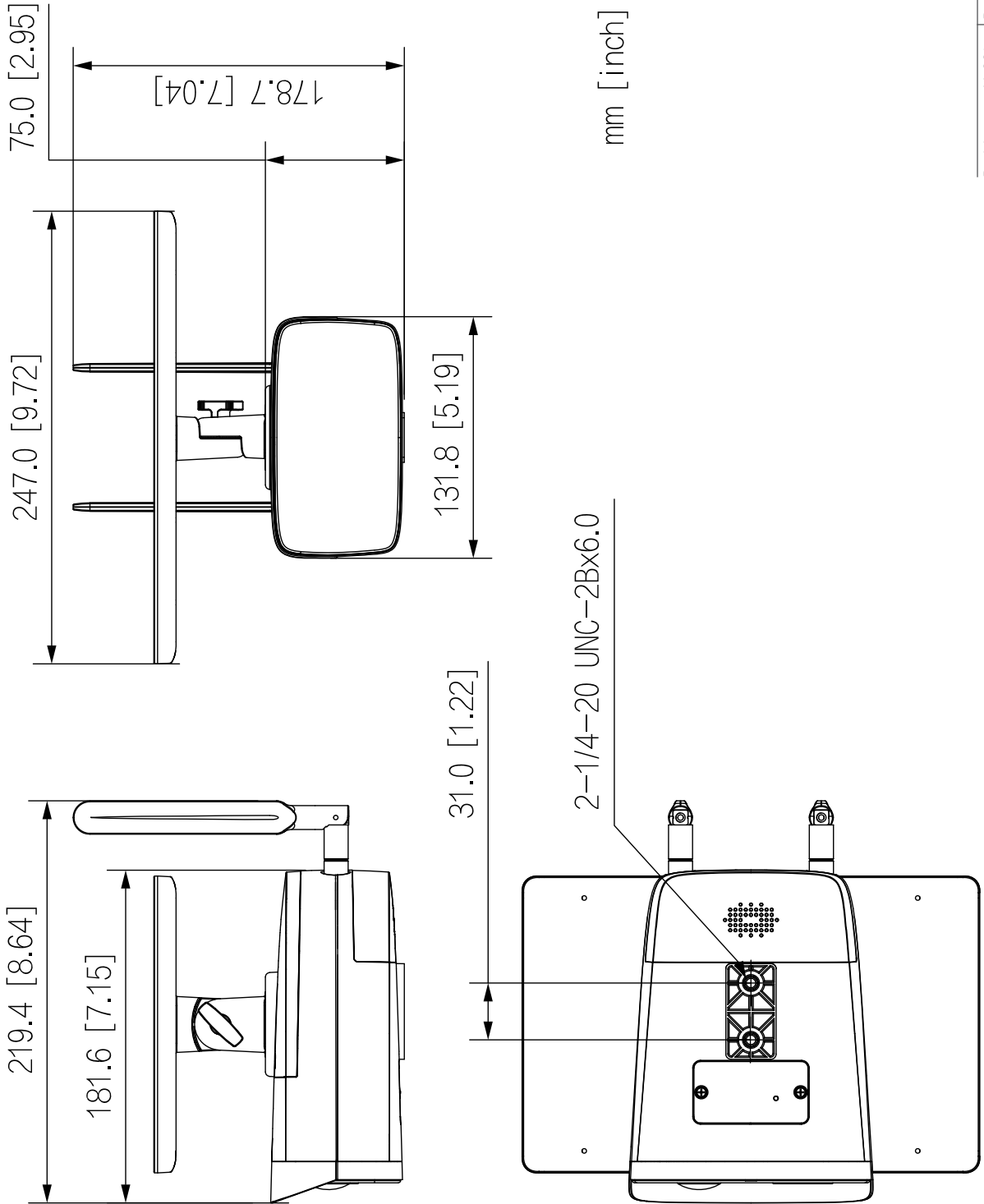
Power Supply

Micro USB/5 VDC

Power Consumption

Sleep Mode: 0.03 W
 General Mode: 2.1 W
 Max. (4G pulling stream+IR+speaker+warning light): 4 W

Dimension drawing



Revision	V: 001	Revision Date:	10/01/2024
Paper Size	A4	Release Date:	10/01/2024



PRO NVR ALW94-36-4SATA

36CH K4-8MP NVR



App



Face



Humanoid



VMS



■ Introduction

36 CH dual network port, support smart 265 and HTML5 latest technology, support 36 CH 4K IP camera input and output, support smart analysis IPC, support voice broadcast under multi-mode, 4pcs HDD (max 16TB), 1CH VGA, 1 CH HDMI, support to upgrade IPC remote, modify IP camera address and light board parameters, support audio, support P2P, 3 pcs USB port.

■ Features

- Support 36 Channels IPC input (8MP/D1+36 CH)
- Support smart 265, H265, H264 compression format
- Support synchronized recording, remote view, backup recording in MP4 format, mobile view
- Support VGA/HDMI Support preview image and playback image electronic amplification
- Support RTSP, GB28181, ONVIF protocol
- Support RTMP stream push, support DDNS, UPNP...etc
- Support alarm capture, send alarm information by email
- Support WEB, mobile view, IMS surveillance
- Support IPC smart analysis: target count, E-fence, line crossing, absent alarm, E-bike detection

Features

- Support channel patrol group
- Support max 9CH playback
- Support network inspection-network traffic monitor, network-detect packet,network diagnosis..etc
- Support 36CH 4K decode and 4K display output
- Support HTML5 remote login operation
- Support to add IPC manually or automatically in LAN
- Support to upgrade IPC online and by memory
- Support to maintain IPC under private protocol, including restore, restart, enable or disable all network function

Specification

Function
System embedded LINUX design, pure hard decoding, watchdog, hard diskstorage, HDMI HD display, IP network video access
Video Input - HD IPC input, support dual code stream access for each IPC, support autosearch, auto add, auto recording, auto preview, and realize zero debugging. - Incoming bandwidth 150Mbps.
Video Output - 1CH HDMI output,1CH VGA output, Same origin as HDMI; resolution: 3840×2160,1920×1080,1440×900,1280×1024,1280×800,1024×768 - Support IMS preview , support APP preview - Support split,1/2/4/6/8/9/10/16/25/36CH real time preview
Video Decoding Parameters - Support Smart265/H.265/H.264 decode - NVR playback 9 CH (1*4K); max support 4 CH playback on IMS
Recording Resolution Support 720P/960P/1080P/3MP/4MP/5MP/4K
Audio G.711; support HDMI audio output, support audio input and output (3.5mmhole), support audio/recording with audio preview and playback on IMS
Network Port 2 pcs RJ45 port, support 10/100M self-adaptive; Support DHCP,NTP,RTSP,ONVIF,P2P,SMTP, GB28181...etc network protocol
User Management Management Max support 32 users
Peripheral Port 1 RS485 interface, support PELCO protocol rocker head control keyboard; 3USB2.0 ports (2 rear and 1 front); support mouse, USB upgrade, import and export

Alarm Port 4 ch switch input, support alarm input; 2 relay output, support siren/alarm
Front Panel Support 2 kinds of indicator light, including power, data transfer
Buzzer Support Buzzer alarm
Storage Management - Support timing recording, alarm recording, timing and alarm recording; alarm recording includes (motion detection, alarm input, human detection, line-crossing detection, area intrusion, personnel linger, absent alarm, vehicle parking violation, and vehicle retrograde) - Support the backup of external USB storage devices (such as ordinary USB flash disk and mobile hard disk)
Function Support preview/recording/transfer/remote service, support alert linkage, support IMS monitor software, support P2P cloud service
Working Temperature -100C~550C
Working Humidity 10%~90%
Power Consumption Consumption DC 12V/6.25A, ≤60W power consumption (without HDD)
Size (mm) 350 X 240 X 70mm, support wall
Weight (Kg) 5 pcs/Carton. 480mm×425mm×395mm; Weight: 13Kg

PRO NVR ALW94-16POE

16CH-8MP



App



Face



Humanoid



VMS



■ Introduction

H.265+ 16CH POE IVR, support 16CH 4K IP camera input and output, support smart analysis IPC- absent alarm, E fence, target count, human detection ,retrograde motion detection, 2 pcs HDD (max 10TB), 1CH VGA, 1 CH HDMI, support to upgrade IPC remote, modify IP camera address and light board parameters, support audio, support mobile view.

■ Features

- Mode 3: Support 16 Channels IPC input (8MP/D1+16 CH Preview+16 CH playback) Support H265,H264,H265 + compression format
- Support synchronized recording,remote view, backup recording in MP4 format, mobile view.
- Support VGA/HDMI
- Support preview image and playback image electronic amplification
- Support RTSP,GB28181,ONVIF protocol
- Support HTTP,RTMP
- Support alarm capture,send alarm information by email
- Support DDNS,UPNP,NTP,P2P...etc
- Support WEB, mobile view,IMS surveillance

■ Features

POE NVR ALW94-16POE | 16CH-8MP

- Support IPC smart analysis: target count, E-fence, line crossing, absent alarm, E-bike detection
- Support channel tour round grouping
- Support max 4CH 1080P playback
- Support network inspection-network traffic monitor, ether-detect packet, network diagnosis..etc
- Support HTML5 remote login operation
- Support to add IPC manually or automatically in LAN
- Support to upgrade IPC online and by memory
- Support to maintain IPC under private protocol, including restore, restart, enable or disable all network function

Specification

Function

Incoming Bandwidth	80Mbps
Recording Resolution	4K/5MP/3MP/1080P/D1/VGA
Compression Format	H.265+/H.265 /H.264
Audio Compression	G.711A/U

Recording & Playback

Recording Mode	Manual/Fixed Time/Alarm Recording
Playback Ability	1CH 4K/4Ch1080P/16CH sub-code
Playback Mode	Regular Playback, Event Playback, External File Playback

External port

Network Port	2 pcs RJ45 100M port
POE Port	16CH, 10/100Mbps, IEEE802.3af, 250W
USB port	2 pcs USB2.0

General

Power	DC52V 4.62A
Power consumption	<190W
Working temperature/humidity	10°C ~ 55°C/10%-90%
Size(mm)	350 X 240 X 70mm
Weight/pcs Kg	Net weight: 1.7Kg; Gross Weight: 1.92Kg (without HDD)
Package	8 pcs/CTN. 755mm×395mm×365mm; Weight: 16KG

Storage & Backup

Storage Port	2 pcs SATA
HDD capacity	Max 10T
Storage	Local HDD, network HDD IPSAN
Backup mode	USB protable HDD, memory

Dimension drawing

