



PRO ASC1204C-S

Support 100,000 valid cards & 150,000 records



Features

- Support 100,000 valid cards & 150,000 records
- Support multiple cards
- Support card, password, fingerprint and combination
- TCP/IP interface to PC
- Wiegand or RS-485 interface to readers (4 door)
- Door time out alarm, intrusion alarm, duress alarm and tamper alarm
- Anti-passback, multi-door interlock, multi-card open
- Support 128 efficient time and holiday schedules
- Watch dog function ensure device free from halting
- Surface mounted installation
- Accumulator battery extension

PROSECURE-FZCO © 2024 1 | 001

Key Features

- Support 100,000 valid cards & 150,000 records
- Support multiple cards
- Support card, password, fingerprint and combination
- TCP/IP interface to PC
- Wiegand or RS-485 interface to readers (4 door)
- Door time out alarm, intrusion alarm, duress alarm and tamper alarm
- Anti-passback, multi-door interlock, multi-card open
- Support 128 efficient time and holiday schedules

Redesigned technical summary in Hikvision-style table layout. All original pages are appended after this branded section to preserve the exact original model numbers, specifications, diagrams, and descriptions.

Technical Specifications

Category	Parameter	Value
General	Door	One Way Access Controller
	PRO	ASC1204C-S
	Support	100,000 valid cards & 150,000 records
Support multiple cards	Support	card, password, fingerprint and combination
TCP/IP interface to PC	Wiegand	or RS-485 interface to readers (4 door)
	Door	time out alarm, intrusion alarm, duress alarm and
	tamper alarm	Anti-passback, multi-door interlock, multi-card open
	Support	128 efficient time and holiday schedules
Surface mounted installation	Watch	dog function ensure device free from halting
	Accumulator	battery extension
	Digital	ACS PRO ASC1204C-S
Input	Inputs x	9 (door sensor x 4, exit button x 4, alarm x 1)
Output	Relay x	5(door lock x 4, alarm x 1)
Reader	Reader x	4 100,000/150,000
Access control	Anti-pass	back, multi-interlock, multi-card unlocks General, VIP, Guest, Patrol, Black list, Duress
Alarm Function	Door	time out alarm, Intrusion alarm, Duress alarm,
Period	Support	128 groups of schedules, 128 groups of period and 128 groups of holiday period RJ45

Category	Parameter	Value
To Reader	Wiegand/	RS485 12 VDC, 50/60Hz 30°C to +60°C 405mm×76mm×280mm
Indoor	Digital	ACS PRO ASC1204C-S
Dimensions	Revision	V: 001 Revision Date: 10/01/2024
	Paper	Size A4 Release Date: 10/01/2024
	/seven.lat/six.lat mm	/four.lat/zero.lat/five.lat mm /two.lat/eight.lat/zero.lat mm
Access Reader	PRO	ASR2101A-ME
	PC material, acrylic panel and IP66, suitable for indoor and	table for indoor
	Support	contactless recognition of IC card (Mifare card) and ID
	card	in two frequencies
Support card/password unlock	Support	RS485 and Wiegand communication
	Support	buzzer and indicator prompt
Support anti-tampering alarm	Alarm	built-in watchdog can detect and control abnormal operation
	status	of the equipment and perform recovery processing to
	ensure	the long-term operation of the equipment
	All	connection ports have overcurrent and overvoltage protection
	Access	Reader PRO ASR2101A-ME
Protection	IP66	(silicon sealant is needed, see the manual)
Power Consumption	Standby	≤ 0.9W, working ≤1.7W 86 mm × 86 mm × 18 mm (L × W × H)
Packaging Dimensions	185 mm × 163 mm × 71 mm (L × W × H, carton)	578 mm × 338 mm × 349 mm (L × W × H, carton) -30°C to +70°C (-22°F to +158°F) 5
Port	RS-485	1 channel 1 output channel
Yes	Access	Reader PRO ASR2101A-ME
Dimensions	18 mm	86 mm

See appended original pages for the remaining specification detail, dimensional drawings, accessories, and diagrams.

Door One Way Access Controller

PRO ASC1204C-S



■ Features

- Support 100,000 valid cards & 150,000 records
- Support multiple cards
- Support card, password, fingerprint and combination
- TCP/IP interface to PC
- Wiegand or RS-485 interface to readers (4 door)
- Door time out alarm, intrusion alarm, duress alarm and tamper alarm
- Anti-passback, multi-door interlock, multi-card open
- Support 128 efficient time and holiday schedules
- Watch dog function ensure device free from halting
- Surface mounted installation
- Accumulator battery extension

Digital ACS | PRO ASC1204C-S

Specification

System

Main Processor

32 Bit

Memory

16M

Input/Output Ports

Input

Inputs x 9 (door sensor x 4, exit button x 4, alarm x 1)

Output

Relay x 5(door lock x 4, alarm x 1)

Reader

Reader x 4

Capacity

Card holders/Events

100,000/150,000

Function

Access control

Anti-pass back, multi-interlock, multi-card unlocks

User Management

General, VIP, Guest, Patrol, Black list, Duress

Alarm Function

Door time out alarm, Intrusion alarm, Duress alarm, Tamper alarm

Period

Support 128 groups of schedules, 128 groups of period and 128 groups of holiday period

General

RTC

Yes

Power Supply

12 VDC, 50/60Hz

Operating Temperature

-30°C to +60°C

Working Humidity

≤95%

Dimension(W×D×H)

405mm×76mm×280mm

Weight

3.5Kg

Working Environment

Indoor

Interface

To PC

RJ45(10/100M)

To Reader

Wiegand/ RS485

Certificates

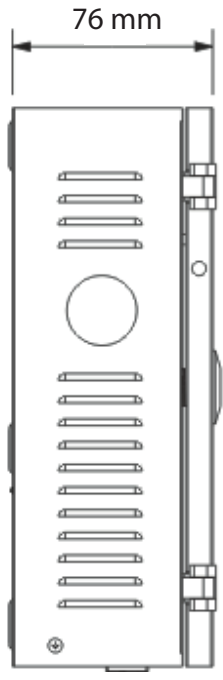
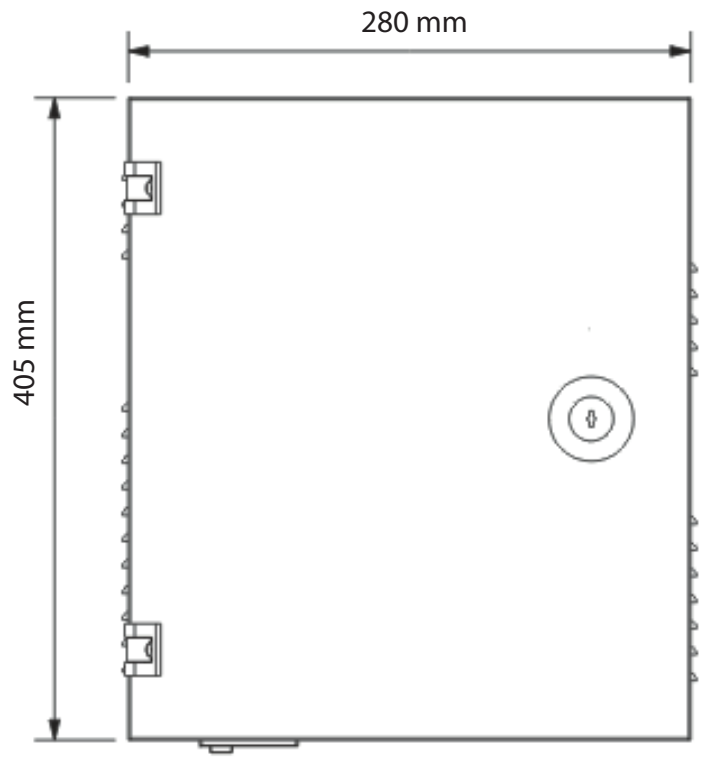
CE

Yes

FCC

Yes

Dimensions Digital ACS | PRO ASC1204C-S



Revision	V: 001	Revision Date:	10/01/2024
Paper Size	A4	Release Date:	10/01/2024



Access Reader

PRO ASR2101A-ME



IP66



■ Features

- PC material, acrylic panel and IP66, suitable for indoor and outdoor use
- Support contactless recognition of IC card (Mifare card) and ID card in two frequencies
- Support card/password unlock
- Support RS485 and Wiegand communication
- Support buzzer and indicator prompt
- Support anti-tampering alarm
- The built-in watchdog can detect and control abnormal operation status of the equipment and perform recovery processing to ensure the long-term operation of the equipment
- All connection ports have overcurrent and overvoltage protection

Specification

Access Reader | PRO ASR2101A-ME

Basic

Product Type

Card reader proximity

Buzzer

Yes

Casing

PC/acrylic panel

Input/Output Ports

Unlock Mode

Card swiping/password
Multiple unlocking modes

Card Type

IC/ID card

Performance

Response Time

0.1 s

Card Reading Distance

0 cm–5 cm (0"–1.97")

Port

RS-485

1 channel

Wiegand

1 output channel

Alarm

Tamper Alarm

Yes

General

Power Supply

12V 0.7A DC

Protection

IP66 (silicon sealant is needed, see the manual)

Power Consumption

Standby $\leq 0.9W$, working $\leq 1.7W$

Product Dimensions

86 mm \times 86 mm \times 18 mm (L \times W \times H)

Packaging Dimensions

185 mm \times 163 mm \times 71 mm (L \times W \times H, 1 in inner carton)
578 mm \times 383 mm \times 349 mm (L \times W \times H, carton)

Operating Temperature

-30°C to +70°C (-22°F to +158°F)

Operating Humidity

5%RH–95% (non-condensing)

Operating Environment

Indoor; outdoor

Gross Weight

0.35 kg (0.77 lb)

Installation

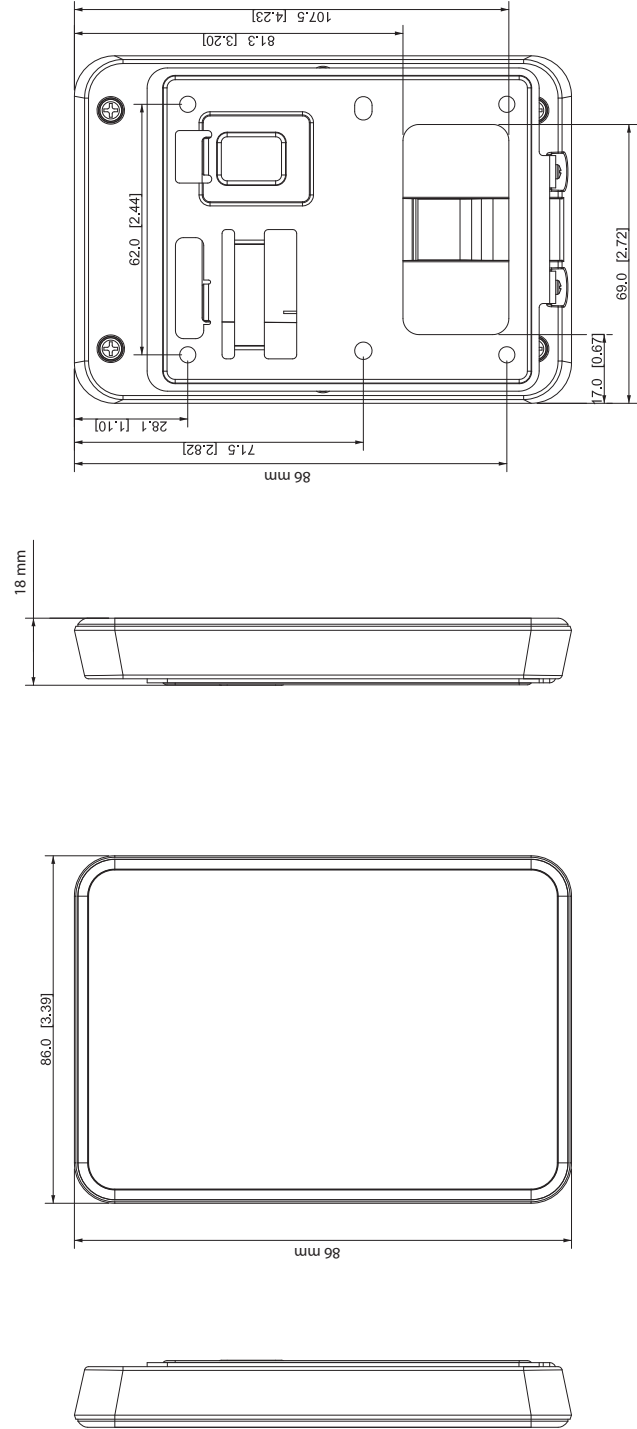
Surface mount

Certifications

CE; FCC

Dimensions

Access Reader | PRO ASR2101A-ME



Revision	V: 001	Revision Date:	10/01/2024
Paper Size	A4	Release Date:	10/01/2024



Access Reader

PRO ASR2102A-ME



IP66



■ Features

- METAL Steel , FingerPrint ,Pin And Card Reard and IP66, suitable for indoor and outdoor use
- Support contactless recognition of IC card (Mifare card) and ID card in two frequencies
- Support card/password unlock
- Support RS485 and Wiegand communication
- Support buzzer and indicator prompt
- Support anti-tampering alarm
- The built-in watchdog can detect and control abnormal operation status of the equipment and perform recovery processing to ensure the long-term operation of the equipment
- All connection ports have overcurrent and overvoltage protection

Access Reader | PRO ASR2102A-ME

Specification

Basic

Product Type	FingerPrint ,Pin And Card Reard
Buzzer	Yes
Casing	PC/acrylic panel

Input/Output Ports

Unlock Mode	Card swiping/password Multiple unlocking modes
Card Type	IC/ID card

Performance

Response Time	0.1 s
Card Reading Distance	0 cm-5 cm (0"-1.97")

Port

RS-485	1 channel
Wiegand	1 output channel

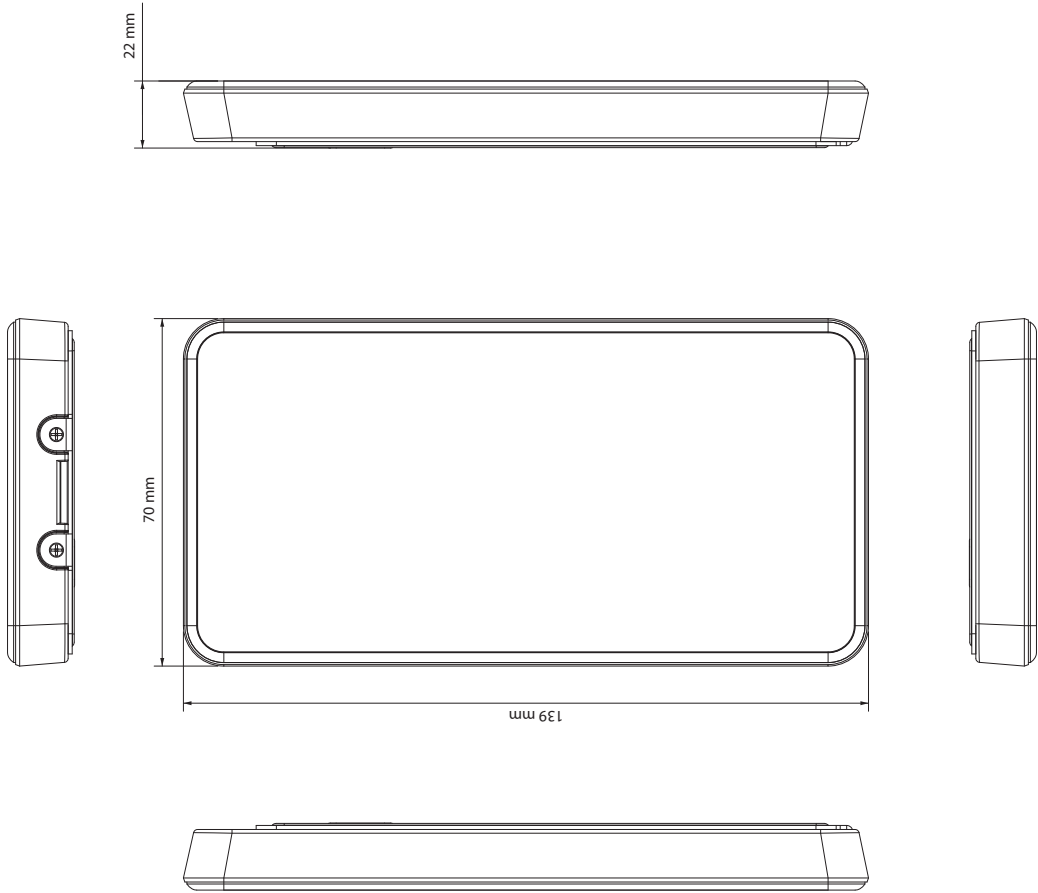
Alarm

Tamper Alarm	Yes
---------------------	-----

General

Power Supply	12V 0.7A DC
Protection	IP66 (silicon sealant is needed, see the manual)
Power Consumption	Standby ≤ 0.9W, working ≤1.7W
Product Dimensions	139 mm × 70 mm × 22 mm (L × W × H)
Packaging Dimensions	185 mm × 163 mm × 71 mm (L × W × H, 1 in inner carton) 578 mm × 383 mm × 349 mm (L × W × H, carton)
Operating Temperature	-30°C to +70°C (-22°F to +158°F)
Operating Humidity	5%RH-95% (non-condensing)
Operating Environment	Indoor; outdoor
Gross Weight	0.35 kg (0.77 lb)
Installation	Surface mount
Certifications	CE; FCC

Dimensions



Revision	V: 001	Revision Date:	10/01/2024
Paper Size	A4	Release Date:	10/01/2024



Proximity Reader

PRO ASR2103A-ME



IP66



■ Features

- PROXIMITY READER, suitable for indoor and outdoor use
- Support contactless recognition of IC card (Mifare card) and ID card in two frequencies
- Support card/password unlock
- Wiegand communication and RS485/232
- Support buzzer and indicator prompt
- Support anti-tampering alarm
- The built-in watchdog can detect and control abnormal operation status of the equipment and perform recovery processing to ensure the long-term operation of the equipment
- All connection ports have overcurrent and overvoltage protection

Specification

Access Reader | PRO ASR2103A-ME

Basic

Product Type

PROXIMITY Card reader

Buzzer

Yes

Casing

PC/acrylic panel

Input/Output Ports

Unlock Mode

Card swiping/password
Multiple unlocking modes

Card Type

IC/ID card

Performance

Response Time

0.1 s

Card Reading Distance

0 cm–5 cm (0"–1.97")

Port

RS-485

1 channel

Wiegand

1 output channel

Alarm

Tamper Alarm

Yes

General

Power Supply

12V 0.7A DC

Protection

IP66 (silicon sealant is needed, see the manual)

Power Consumption

Standby $\leq 0.9W$, working $\leq 1.7W$

Product Dimensions

80 mm \times 42 mm \times 13 mm (L \times W \times H)

Packaging Dimensions

110 mm \times 50 mm \times 18 mm (L \times W \times H)

Operating Temperature

–25°C to +75°C

Operating Humidity

10%RH–90% (non-condensing)

Operating Environment

Indoor; outdoor

Gross Weight

0.15kg

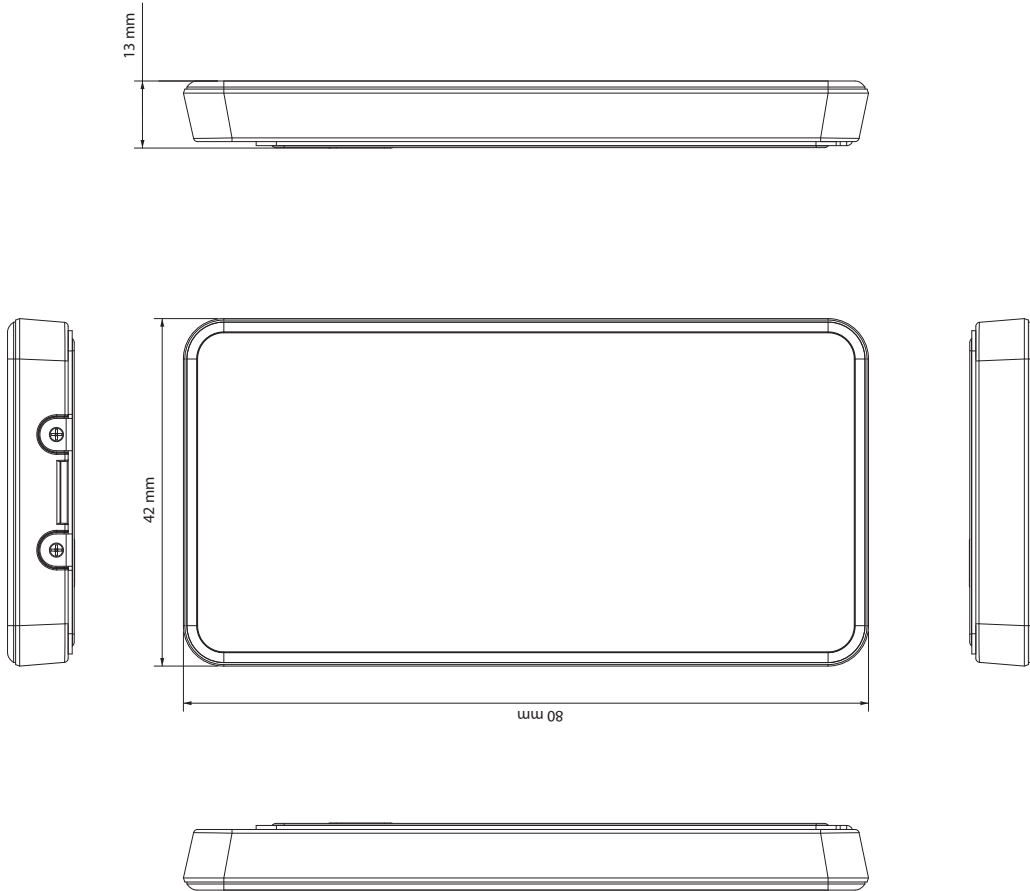
Installation

Surface mount

Certifications

CE; FCC

Dimensions



Revision	V: 001	Revision Date:	10/01/2024
Paper Size	A4	Release Date:	10/01/2024

