



PRO-BVF5-S

5MP IR Motorized Varifocal Bullet Network Camera



PRO-BVF5-S

5MP IR Motorized Varifocal Bullet Network Camera



Key Features

- 1/2.7" progressive scan CMOS
- Max. 5MP(2880×1620) @25/30fps resolution
- 2.7 to 13.5 mm motorized lens
- True WDR, 3D DNR, ROI, HLC, BLC, Defog
- Support face, human, vehicle detection and capture
- Intelligent analytics: intrusion, single line crossing, double line crossing, loitering, wrong-way, illegal parking, people counting and smart motion detection
- Smart IR distance up to 40m
- Built-in SD card slot
- IP67

WWW.UK.PROSECURE.AE

Key Features

- 1/2.7" progressive scan CMOS
- Max. 5MP(2880×1620) @25/30fps resolution
- 2.7 to 13.5 mm motorized lens
- True WDR, 3D DNR, ROI, HLC, BLC, Defog
- Support face, human, vehicle detection and capture
- Intelligent analytics: intrusion, single line crossing, double line crossing, loitering,
- wrong-way, illegal parking, people counting and smart motion detection
- Smart IR distance up to 40m

Redesigned technical summary in Hikvision-style table layout. All original pages are appended after this branded section to preserve the exact original model numbers, specifications, diagrams, and descriptions.

Technical Specifications

Category	Parameter	Value
General	1/2.7" progressive scan CMOS	Max. 5MP(2880×1620) @25/30fps resolution
	2.7 to 13.5 mm motorized lens	True WDR, 3D DNR, ROI, HLC, BLC, Defog
	Support	face, human, vehicle detection and capture
	Intelligent	analytics: intrusion, single line crossing, double line crossing, loitering, wrong-way, illegal
	Smart	IR distance up to 40m
Built-in SD card slot	IP67	PRO-BVF5-S 5MP IR Motorized Varifocal Bullet Network Camera
Camera	Image Sensor	1/2.7" Progressive Scan CMOS
	Max. Resolution	5MP (2880×1620)
	Electronic Shutter	Auto/Manual, 1/5 to 1/20,000s
	Min. illumination	Color: 0.01 Lux @ (F1.6, AGC ON), B/W: 0 Lux with IR
	Day & Night	IR cut filter
	Angle	Adjustment Pan: 0° to 360°, Tilt: 0° to 90°, Rotation: 0° to 360°
Iris Fixed Iris	Focal Length	2.7 to 13.5 mm
	F Number	F1.6
	Angle	of View H: 102.3° to 33.1°, V: 54.3° to 18.5°
DORI Distance	Lens	Detect Observe Recognize Identify
	Wide	80 m (262.5 ft) 32 m (105.0 ft) 16 m (52.5 ft) 8 m (26.2 ft)

Category	Parameter	Value
	Tele	208 m (682.4 ft) 83.2 m (273.0 ft) 41.6 m (136.5 ft) 20.8 m (68.2 ft)
Illuminator Type IR	Illumination Distance	Up to 40 m (131.2 ft)
	Illumination On/Off Control	Auto/Manual
Video	Streaming Capability	3 Streams Stream1: 2880x1620, 2560x1440, 2304x1296, 1920x1080, 1280x720 @ 25/30fps
Stream/Frame Rate	Stream2: D1, VGA, CIF @ 25/30fps	Stream3: VGA, CIF, QVGA @25/30fps
Bit Rate	Stream1: 200kbps to 12Mbps	Stream2: 100kbps to 6Mbps
	Stream3: 100kbps to 3Mbps	Region of Interest Off/On (8 areas, Rectangle)
Audio	Compression	G.711, RAW_PCM
	Bit Rate	64Kbps (G.711), 128Kbps (RAW_PCM)
Image	Image Adjustment	Brightness, Sharpness, Contrast, Saturation adjustable
White Balance Auto/Manual	Day/Night	Setting Auto, Day, Night, Time
Smart IR Support	Noise	Reduction 2D/3D DNR
	Image	Enhancement HLC, BLC, Defog
	Wide Dynamic Range	True WDR
	S/N	Ratio 55dB
Motion Detection Support	Privacy	Masking 4 areas
Smart Function	Multi-Object Detection	Supports face, human, vehicle detection and capture Intrusion, Single line crossing, Door
Intelligent Analytics	detection	Support alarm triggering by specified target types (human and vehicle)
People Counting Support	Basic	Events Disk alarm, Network alarm, I/O alarm, Motion detection alarm
Network	Protocols	IPv4/IPv6, RTSP/ RTCP/RTP, TCP/UDP, HTTPS, DHCP, DNS, DDNS, PPPoE, UPnP, etc.
	SMTP, 802.1x, SNMP	Interoperability ONVIF, SDK, CGI
Streaming Method Multicast	Max.	User Access 10 Users
	Web	Viewer <IE11, Chrome, Firefox, Microsoft Edge
	Language	English, Polish, Italian, Portuguese, Spanish, Russian, French, Czech, Hungarian. Default
Interface	Network	Interface 1 Ethernet (10/100 Base-T) RJ-45 Connector

See appended original pages for the remaining specification detail, dimensional drawings, accessories, and diagrams.

PRO-BVF5-S

5MP IR Motorized Varifocal Bullet Network Camera



Key Features

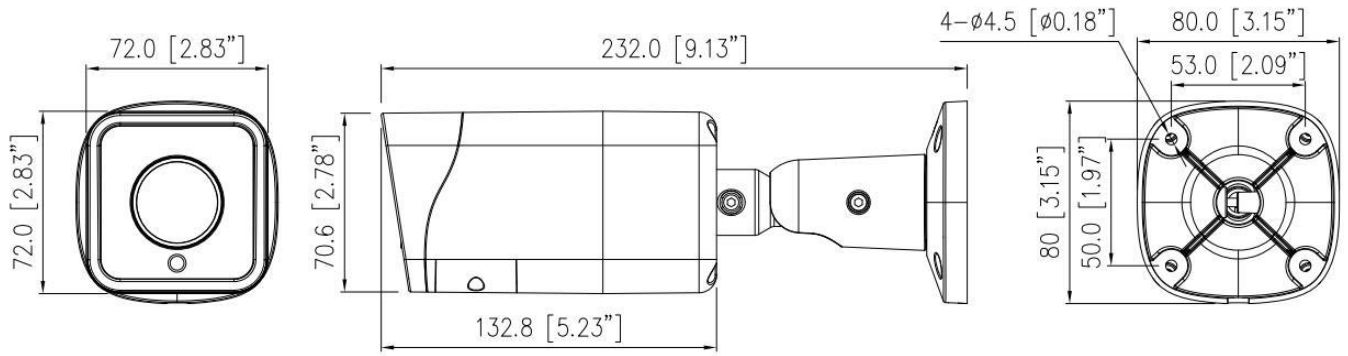
- 1/2.7" progressive scan CMOS
- Max. 5MP(2880×1620) @25/30fps resolution
- 2.7 to 13.5 mm motorized lens
- True WDR, 3D DNR, ROI, HLC, BLC, Defog
- Support face, human, vehicle detection and capture
- Intelligent analytics: intrusion, single line crossing, double line crossing, loitering, wrong-way, illegal parking, people counting and smart motion detection
- Smart IR distance up to 40m
- Built-in SD card slot
- IP67

Specification

Camera				
Image Sensor	1/2.7" Progressive Scan CMOS			
Max. Resolution	5MP (2880×1620)			
Electronic Shutter	Auto/Manual, 1/5 to 1/20,000s			
Min. illumination	Color: 0.01 Lux @ (F1.6, AGC ON), B/W: 0 Lux with IR			
Day & Night	IR cut filter			
Angle Adjustment	Pan: 0° to 360°, Tilt: 0° to 90°, Rotation: 0° to 360°			
Lens				
Lens Type	Motorized focus			
Iris	Fixed Iris			
Focal Length	2.7 to 13.5 mm			
F Number	F1.6			
Angle of View	H: 102.3° to 33.1°, V: 54.3° to 18.5°			
DORI Distance				
Lens	Detect	Observe	Recognize	Identify
Wide	80 m (262.5 ft)	32 m (105.0 ft)	16 m (52.5 ft)	8 m (26.2 ft)
Tele	208 m (682.4 ft)	83.2 m (273.0 ft)	41.6 m (136.5 ft)	20.8 m (68.2 ft)
Illuminator				
Illuminator Type	IR			
Illumination Distance	Up to 40 m (131.2 ft)			
Illumination On/Off Control	Auto/Manual			
Video				
Streaming Capability	3 Streams			
Stream/Frame Rate	Stream1: 2880×1620, 2560×1440, 2304×1296, 1920×1080, 1280×720 @ 25/30fps Stream2: D1, VGA, CIF @ 25/30fps Stream3: VGA, CIF, QVGA @ 25/30fps			
Bit Rate Control	CBR/VBR			
Bit Rate	Stream1: 200kbps to 12Mbps Stream2: 100kbps to 6Mbps Stream3: 100kbps to 3Mbps			
Region of Interest	Off/On (8 areas, Rectangle)			
Smart Encode	Support			
Audio				
Compression	G.711, RAW_PCM			
Bit Rate	64Kbps (G.711), 128Kps (RAW_PCM)			
Image				
Image Adjustment	Brightness, Sharpness, Contrast, Saturation adjustable			
Aisle Mode	Support			
Mirror	Support			
White Balance	Auto/Manual			

Day/Night Setting	Auto, Day, Night, Time
Smart IR	Support
Noise Reduction	2D/3D DNR
Image Enhancement	HLC, BLC, Defog
Wide Dynamic Range	True WDR
S/N Ratio	55dB
Motion Detection	Support
Privacy Masking	4 areas
Smart Function	
Multi-Object Detection	Supports face, human, vehicle detection and capture
Intelligent Analytics	Intrusion, Single line crossing, Double line crossing, Loitering, Wrong-way, Illegal parking and Smart motion detection Support alarm triggering by specified target types (human and vehicle)
People Counting	Support
Basic Events	Disk alarm, Network alarm, I/O alarm, Motion detection alarm
Network	
Protocols	IPv4/IPv6, RTSP/ RTCP/RTP, TCP/UDP, HTTPS, DHCP, DNS, DDNS, PPPoE, UPnP, ICMP, IGMP, FTP, NTP, SMTP, 802.1x, SNMP
Interoperability	ONVIF, SDK, CGI
Streaming Method	Multicast
Max. User Access	10 Users
Web Viewer	<IE11, Chrome, Firefox, Microsoft Edge
Language	English, Polish, Italian, Portuguese, Spanish, Russian, French, Czech, Hungarian. Default: English
Interface	
Network Interface	1 Ethernet (10/100 Base-T) RJ-45 Connector
Audio Interface	1ch Input, 1ch Output
Alarm Interface	1ch Input, 1ch Output
Reset Button	Support
SD Card Slot	Built-in, up to 512GB
Electrical	
Power Supply	DC12V (-15% to +25%)/PoE (IEEE 802.3af)
Power Consumption	2.5W (IR OFF), Max 6W (IR ON)
Operating Temperature	-30°C to 60°C (-22°F to 140°F)
Operating Humidity	Less than 90% RH
Ingress Protection	IP67
Certifications	CE/FCC
Casing	Metal
Dimensions	232 × 80 × 80 mm (9.13" × 3.15" × 3.15")
Net Weight	0.78 kg (1.72 lb)

Dimensions (mm)



Accessories

Optional:



PS- RBK656A
Junction Box



PS- RBK627D
Pole Mount