



PRO VTH2421FW-P / PRO VTH2421FB-P

Digital Video Intercom System



- Features**
- 7" TFT Capacitive touch screen, 1024 x 600
 - IPC surveillance
 - Alarm integration
 - High performance & Cost-effective
 - Embedded 8GB SD card
 - Support standard PoE

PROSECURE-FZCO 41 2024 | V: 001

Key Features

- 7" TFT Capacitive touch screen, 1024 x 600
- IPC surveillance
- Alarm integration
- High performance & Cost-effective
- Embedded 8GB SD card
- Support standard PoE
- Digital VTH | PRO VTH2421FW-P / PRO-VTH2421FB-P
- Main Processor

Redesigned technical summary in Hikvision-style table layout. All original pages are appended after this branded section to preserve the exact original model numbers, specifications, diagrams, and descriptions.

Technical Specifications

Category	Parameter	Value
General	Digital	Video Intercom System
	PRO	VTH2421FW-P
	PRO	VTH2421FB-P 7" TFT Capacitive touch screen, 1024 x 600
Alarm integration	High	performance & Cost-effective
	Embedded	8GB SD card
Support standard PoE	Digital	VTH PRO VTH2421FW-P / PRO-VTH2421FB-P
Main Processor	High	performace embedded processor
Operating System	Embedded	LINUX OS / Android 7-inch TFT screen G.711A/G.711U/PCM 1 channel all-direction m
Audio Output	Built-in	1.5W loudspeaker
Audio Mode	Support	dual-way bidirectional talk
Audio Enhancement	Support	echo cancellation/DNR
Information Release	Support	to receive and view notifications issued by center
	Leave	Videos or Text Messages
DND Mode	Support	to set DND period 6 channel (switch quantity)
Power Supply	Standard	PoE DC 12V 1A
Accessories	Default	bracket Default alarm cable 196 mm x 133 mm x 22 mm 10°C to +55°C (+14°F to +13

Category	Parameter	Value
Storage	Support	Micro SD, maximum memory capacity 32 G,
	standard	memory capacity 8 G
	Digital	VTH PRO VTH2421FW-P / PRO-VTH2421FB-P
Installation	Revision	V: 001 Revision Date: 10/01/2024
	Paper	Size A4 Release Date: 10/01/2024
	Digital	Video Intercom System
	PRO	VTH 888FJ4C 4.3" TFT Capacitive touch screen
Support standard PoE	Digital	VTH PRO VTH 888FJ4C
Main Processor	High	performace embedded processor acitive screen 4.3-inch TFT screen
Video Compre	ssion	H.264 G.711A/G.711U/PCM 1 channel all-direction microphone
DND Mode	Support	to set DND period 6 channel (switch quantity optional)
Alar	m Output	1 channel
Power Supply	Standard	PoE DC 24V 1A
Accessories	Default	bracket Default alarm cable 180mm x 110mm x 22 mm
Operatin	g Temperature	10°C to +55°C (+14°F to +131°F) Standby≤4W, work≤6W 0.35 Kg (0.77 lb)
Storage	Digital	VTH PRO VTH 888FJ4C
Installation	Revision	V: 001 Revi sion Date: 10/01/2024
	Paper	Size A4 Relea se Date: 10/01/2024



Digital Video Intercom System

PRO VTH2421FW-P
PRO VTH2421FB-P



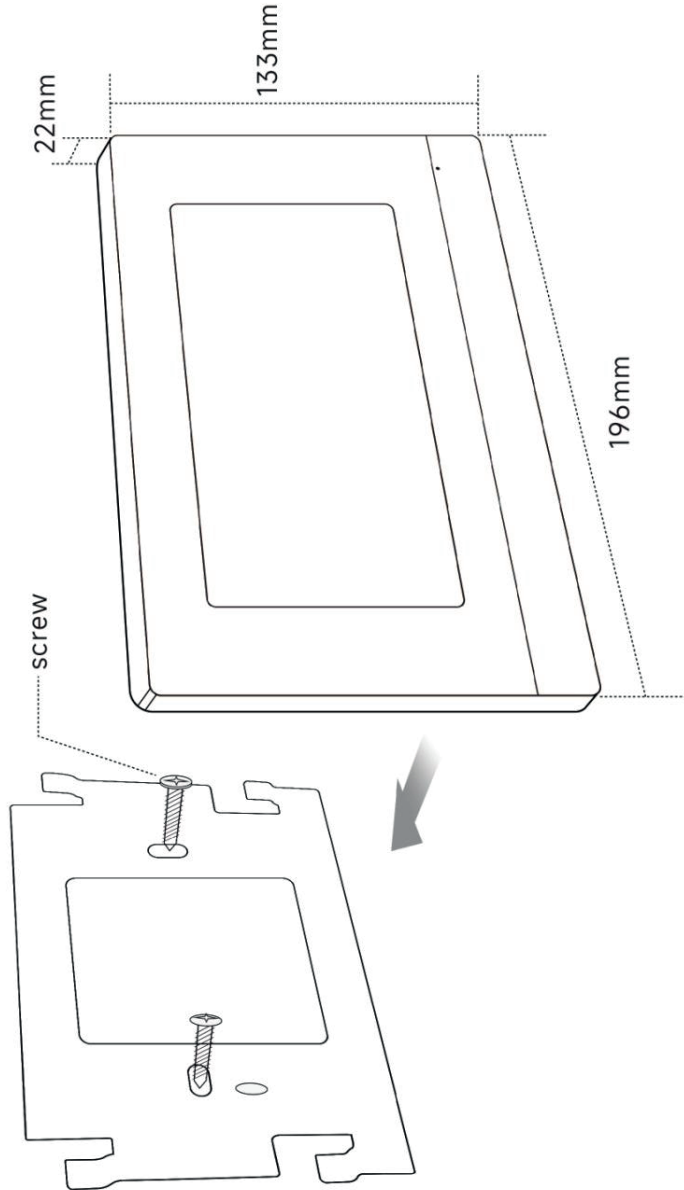
■ Features

- 7" TFT Capacitive touch screen, 1024 x 600
- IPC surveillance
- Alarm integration
- High performance & Cost-effective
- Embedded 8GB SD card
- Support standard PoE

Specification Digital VTH | PRO VTH2421FW-P / PRO-VTH2421FB-P

Technical Specification	
Main Processor	High performance embedded processor
Operating System	Embedded LINUX OS / Android
Screen Type	Capacitive screen
Display	7-inch TFT screen
Resolution	1024 × 600
Video Compression	H.264
Audio Compression	G.711A/G.711U/PCM
Audio Input	1 channel all-direction microphone
Audio Output	Built-in 1.5W loudspeaker
Audio Mode	Support dual-way bidirectional talk
Audio Enhancement	Support echo cancellation/DNR
Audio Bit Rate	16 kbps
Communication Mode	Full digital
Information Release	Support to receive and view notifications issued by center
Leave Videos or Text Messages	Support
DND Mode	Support to set DND period
Sub-station Quantity	9

Alarm Input	6 channel (switch quantity)
Alarm Output	1 channel
Network	1 RJ-45
SOS Alarm	Support
Casing	PC+ABS
Appearance Color	Appearance Color
Power Supply	Standard PoE DC 12V 1A
Installation	Wall mount
Accessories	Default bracket Default alarm cable
Dimensions	196 mm × 133 mm × 22 mm
Operating Temperature	-10°C to +55°C (+14°F to +131°F)
Operating Humidity	10%RH-95%RH
Power Consumption	Standby≤4W, work≤6W
Gross Weight	0.35 Kg (0.77 lb)
Power supply mode	PoE
Storage	Support Micro SD, maximum memory capacity 32 G, standard memory capacity 8 G



Revision	V: 001	Revision Date:	10/01/2024
Paper Size	A4	Release Date:	10/01/2024





Digital Video Intercom System

PRO VTH 888FJ4C



■ Features

- 4.3" TFT Capacitive touch screen
- IPC surveillance
- Alarm integration
- High performance & Cost-effective
- Support standard PoE

Specification

Digital VTH | PRO VTH 888FJ4C

Technical Specification

Main Processor

High performance embedded processor

Operating System

Embedded LINUX

Screen Type

Capacitive screen

Display

4.3-inch TFT screen

Resolution

1480× 272

Video Compression

H.264

Audio Compression

G.711A/G.711U/PCM

Audio Input

1 channel all-direction microphone

Audio Output

Built-in 1.5W loudspeaker

Audio Mode

Support dual-way bidirectional talk

Audio Enhancement

Support echo cancellation/DNR

Audio Bit Rate

16 kbps

Communication Mode

Full digital

Information Release

Support to receive and view notifications issued by center

Leave Videos or Text Messages

Support

DND Mode

Support to set DND period

Sub-station Quantity

9

Alarm Input

6 channel (switch quantity optional)

Alarm Output

1 channel

Network

1 RJ-45

SOS Alarm

Support

Casing

PC+ABS

Appearance Color

Appearance Color

Power Supply

Standard PoE DC 24V 1A

Installation

Wall mount

Accessories

Default bracket Default alarm cable

Dimensions

180mm × 110mm × 22 mm

Operating Temperature

-10°C to +55°C (+14°F to +131°F)

Operating Humidity

10%RH-95%RH

Power Consumption

Standby≤4W, work≤6W

Gross Weight

0.35 Kg (0.77 lb)

Power supply mode

PoE

Storage

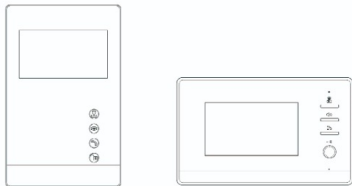
standard memory capacity 8 G

Revision V: 001
 Paper Size A4
 Revision Date: 10/01/2024
 Release Date: 10/01/2024

Q system indoor monitor MANUAL V1.0

1. Easy operation instructions:

- The 4 keys are divided into selection keys from top to bottom, and the last one is the OK key.
- Call intercom: choose to enter the room number to call both parties.
- Video surveillance: choose to monitor the wall machine and the unit door machine.
- Information query: select to query, community, visitor, call, alarm record.
- Project settings: select Enter password 000000 to enter the project menu, and enter 111111 to enter the user menu.
- Call center: Select to call the property center.
- Call the elevator: select to recruit the elevator up and down.
- Security settings: select the engineering settings 111111 enter the password, and select the security information OFF/NO switch to arm/disarm.



2. System parameters:

- Hardware performance: CPU: single-core ARM9
- Operating system: LINUX system;
- Display screen: 480*272;
- Communication mode: RJ45-TCP/IP;
- Operation mode: physical button.

3. Electrical parameters:

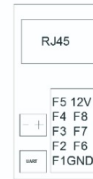
- Power supply mode: DC15/24V-1/3A; Support POE non-standard 24V.
- Power consumption: static less than 3W; Dynamic less than 5W.

4. Acclimatization:

- Working environment: -20°C-60°C;
- Working humidity: 10%-70%;
- Protection grade: IP53.

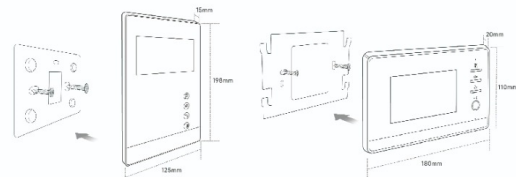
1

5. Detailed explanation of the motherboard interface:



6. Installation structure:

1. Dimensions: length 180mm * width 110mm * thickness 20mm.
 Install the fixed hanging plate on the wall or iron door that needs to be installed, and then tighten the fixing screw, that is, hang it into the indoor unit.



7. Warranty card:

Product model	Date of the factory	Warranty date
The cause of the failure		
Remarks: 1. This product is free of warranty for one year (beyond the warranty period, cost fee is charged) 2. Man-made damage is not covered by free warranty, and cost fees need to be charged when repairing		

Attachment: This manual is for reference only, all subject to the actual product.

2





IP Villa Door Station

PRO VTO2202F-P



■ Features

- 2MP CMOS camera
- Mechanical button
- Night vision & voice indicator
- PoE
- 160° angle of view
- Compatible with VTH5222CH-S1 and VTNS1006A-2
- Group call
- Power supply by 2-wire
- Aluminium alloy plate
- IK07, IP65 (Apply silica gel to gaps between the device and the wall.
- Liquid sodium silicate is recommended.
- Surface mounted and flush mounted

IP Villa Door | PRO VTO2202F-P

Specification

System Parameter

Host Processor
Embed processor
Camera
1/2.8" 2MP CMOS high definition low illumination colorful
Angle of view
D:180° H:160° V:82°
Focal length
1.95 mm
WDR
Support
Noise reduction
Noise suppression and echo cancellation
Video encoding
H.264
Frame rate
PAL:25 fps NTSC:30 fps
Audio encoding
G.711 U
Video bit rate
256K to 2M
Light compensation
IR Supplement

Port

RS-485 Port
1
Alarm Output
1
Lock Control
1 set
Door Status Detection
1 set
Eoc
1 set
Exit Button
1
Tamper Switch
1 set
Network Interface
1
Power Output
12V/100mA

Alarm Parameter

Tamper Alarm
Support
Door Sensor Timeout Alarm
Support
Alarm Input
Support
Alarm Output
Support

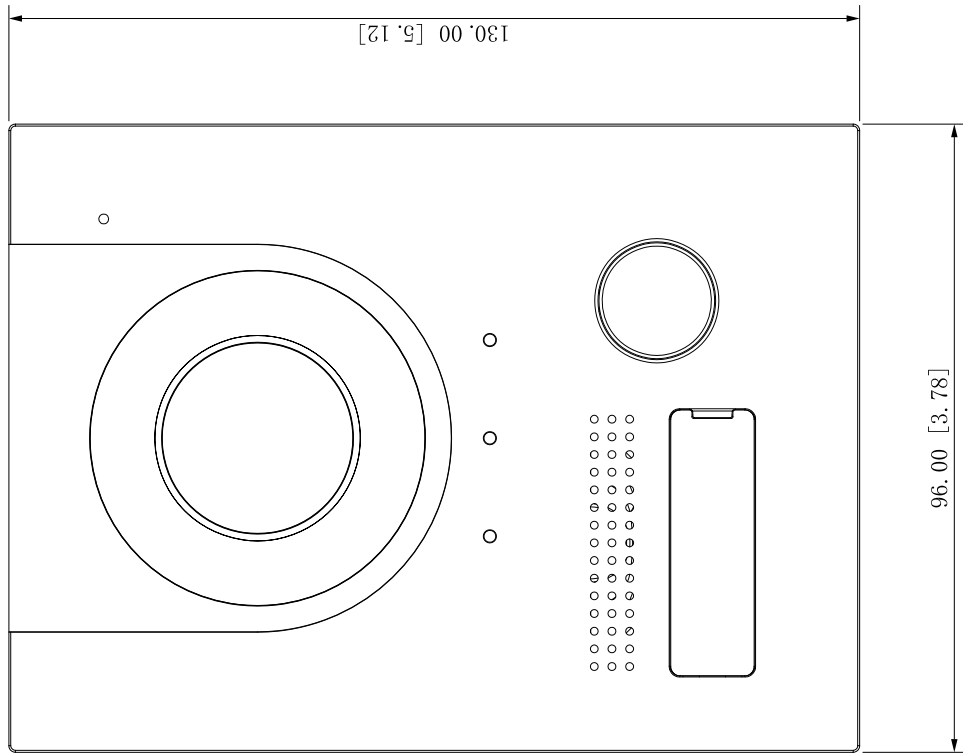
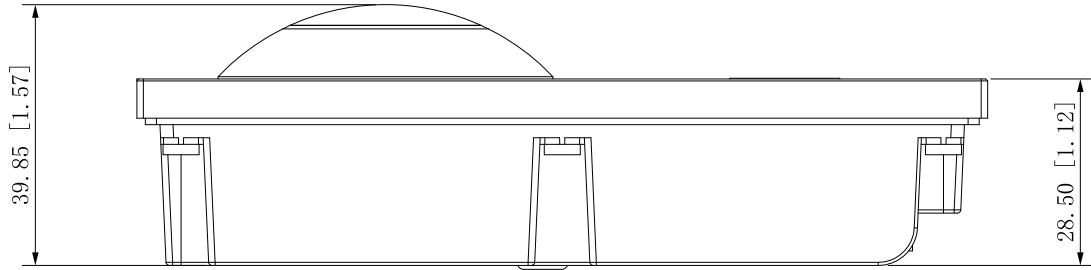
User Parameter

Audio Input
Built-in Omnidirectional Microphone
Audio Output
Built-in Loudspeaker
Status Indicator
Calling & Communication & Unlocked
Communication Methods
Digital communication
Unlock Mode
Remote unlocking
Auto Snapshot
Support
Leave Videos or Text Messages
Support
Storage
Extended 64 G TF Card
WEB Configuration
Support
Real-Time Monitor
Support

Normal Parameter

Ingress Protection
IP65 (Apply silica gel to gaps between the device and the wall. Liquid sodium silicate is recommended. For details, see the quick start guide.)
Network Update
Online update
Housing material
Aluminum
Power supply mode
2-Wire Interface or PoE
Rated Power
12V DC
Rated Current
1A
Installation method
Supports surface mounted and flush mounted
Dimensions
130 mm×96 mm×28.5 mm
Working Temperature
-30°C to +60°C (-22°F to +140°F)
Working Humidity
10%–90%
Atmospheric Pressure
86kPa–106kPa
Power Consumption
≤12W
Total Weight
0.35kg/0.77lb
Environmental Requirement
Outdoor

Dimensions IP Villa Door | PRO VTO2202F-P



Revision	V: 001	Revision Date:	10/01/2024
Paper Size	A4	Release Date:	10/01/2024





Master Station

PRO VTS8340B-CG



■ Features

- Highly convenient, it has a 10-inch glass touch screen with a 1024(H) × 600(V) resolution and supports speaker phone, gooseneck micro phones and handsets.
- Supports desk mount installation, and the bracket can be adjusted from 0°-45°.
- Supports cameras and performing two-way video calls with master stations and indoor monitors.
- Offers HDMI output with a resolution up to 1024(H) × 600(V).
- The intercom can be set for residential areas and use in industries.
- Features two-way talk for indoor monitors and door stations.
- Monitors 4 channel door stations and IPCs at the same time.
- Records videos, takes snapshots and stores information on SD cards.
- 300 IP VTAs can be connected to the master station.
- Supports two-way talk.
- Offers two-way talk between stations.

Master Station | PRO VTS8340B-CG

Specification

System

Main Processor
Embedded Processor
Operating System
Android 11
Button Type
Mechanical
Interoperability
ONVIF; CGI; SDK; SIP
Network Protocol
IPv4; RTSP; UDP; FTP; RTP; TCP

Basic

Screen Type
Capacitive Touchscreen
Display Screen
10" TFT display
Screen Resolution
1024 × 600
Camera
5 MP CMOS camera
Field of View
H: 57°; V: 45°; D: 72°
Video Compression
H.264; H.265
Video Resolution
720p
Video Frame Rate
25 fps
Video Bit Rate
2 Mbps
Audio Compression
G.711a; G.711u; PCM
Audio Input
3 Channels
Audio Output
Built-in speaker; handset speaker
Audio Mode
Two-way audio
Audio Enhancement
Echo suppression/digital noise reduction
Audio Bit Rate
16 kHz,16Bit

Port

RS-485
1
HDMI
1
USB
1 × USB 2.0 port, 1 × USB 3.0 port
Power Output
1 channel, 12 V/200 mA
Network Port
1 × RJ-45 100 Mbps/1000 Mbps self-adaptive

Function

Communication Mode
Full digital
Multi-Window Display
Supports splitting to 4 windows and monitoring 4-ch 720p videos.
Storage
Micro SD, Max 512 GB
Web Configuration
Yes
Auto Registration
Yes
Access Device
Building mode: Up to 32 VTSs. Up to 32 IPCs. Industry mode: Up to 300 VTAs (Added through IP). Up to 32 IPCs.

Performance

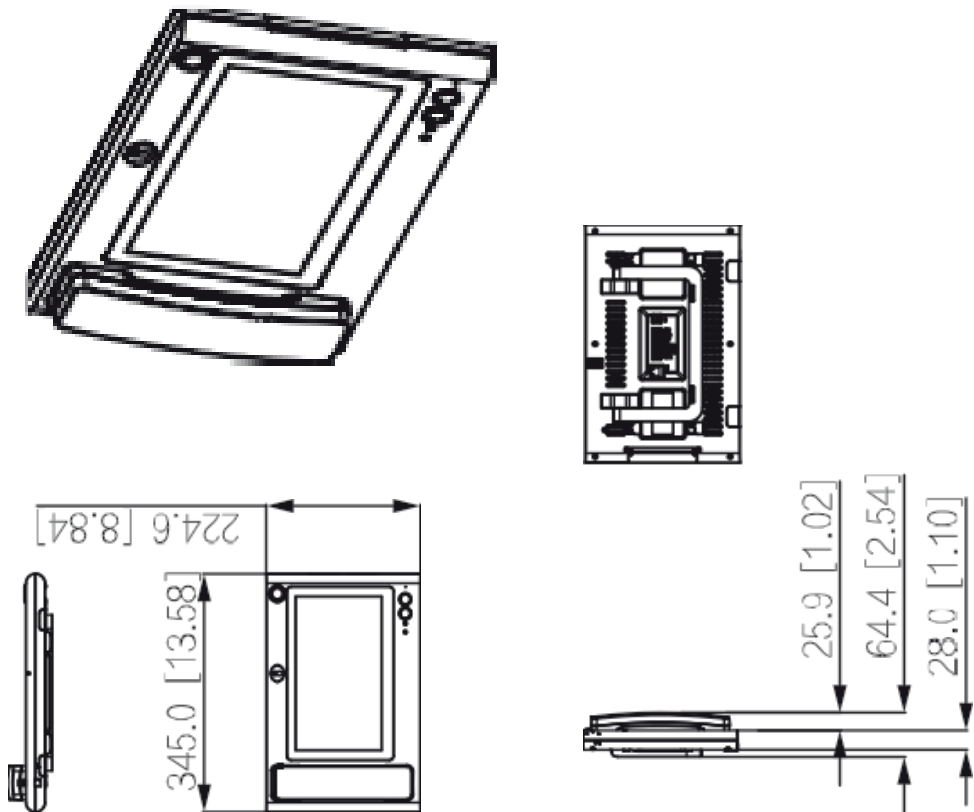
Casing Material
PC + ABS

General

Appearance Color
Titanium gray
Power Supply
12 VDC, 4A
Power Adapter
Included
Installation
Desk Mount
Certifications
CE; FCC
Accessory
Power adapter; power cord; handset cord
Product Dimensions
345.00 mm × 224.60 mm × 64.42 mm
Operating Temperature
-10 °C to +55 °C (14 °F to +131 °F)
Operating Humidity
5%–90% (RH) (Non-condensing)
Operating Altitude
0 m–1300 m (0 ft–4265.09 ft)
Power Consumption
≤ 5 W (standby), ≤ 10 W (working)
Gross Weight
2.5 kg (5.51 lb)
Storage Temperature
0 °C to +40 °C (+32 °F to +104 °F)
Storage Humidity
30% to 75% (RH)

Dimensions

Revision	V: 001	Revision Date:	10/01/2024
Paper Size	A4	Release Date:	10/01/2024





8 Inch Digital Outdoor Station

PRO VTO7521G



■ Features

- Anodized aluminium alloy middle frame
- 8 inch capacitive touch screen and high definition IPS screen; resolution: 800 (H)×1280 (V)
- Password and card unlock
- Full duplex communication
- Outdoor stations can be managed through the platform; voice communication between mobile app and platform
- 2 MP low illuminance wide dynamic dual camera; white light fill light and IR fill light, fill light brightness can be adjusted
- Support duress alarm, tamper alarm, and fire alarm.
- IK07; IP66 (Apply silica gel to gaps between the device and the wall.
- Liquid sodium silicate is recommended.
- Surface mount and flush mount

Specification8 Inch Digital Outdoor Station | PRO VTO7521G

System

Main Processor
Embedded processor
Internet Protocol
IPv4, FTP, DNS, RTSP, RTP, TCP, UDP, SIP
Keyboard Type
Touch keyboard

Basic

Appearance
G serials
Display
High definition IPS screen
Screen Type
Capacitive touch screen
Resolution
800(H)×1280(V)
Camera
2 MP CMOS
WDR
120dB
Light Compensation
Auto white light fill light, Auto IR light fill light
Status Indicator
1, blue-operation status
Voice Prompt
Yes
Housing Material
AL+PC+ABS

Port

RS-485
1
Wiegand
1
Ethernet
1 10M/100M/1000M Ethernet port
Alarm Output
2 (Dry contact)
Alarm Linkage
Yes
Power Output
1 DC 12V/100ma
Exit Button
1
Door Status Detection
1
Lock Control
1, normally on or off by default
Storage
Micro SD card (up to 64GB reserved for software)

Performance

Card Capacity
10,000

Function

Unlock Mode
Remote/password/card unlock
Online Update
Yes
Full Duplex Communication
Yes
Snapshot When Unlocking Doors
Yes
Leave Photos and Messages
Yes
Web Configuration
Yes
Issue Card Locally
Yes
Auto-Registration
Yes

Alarm

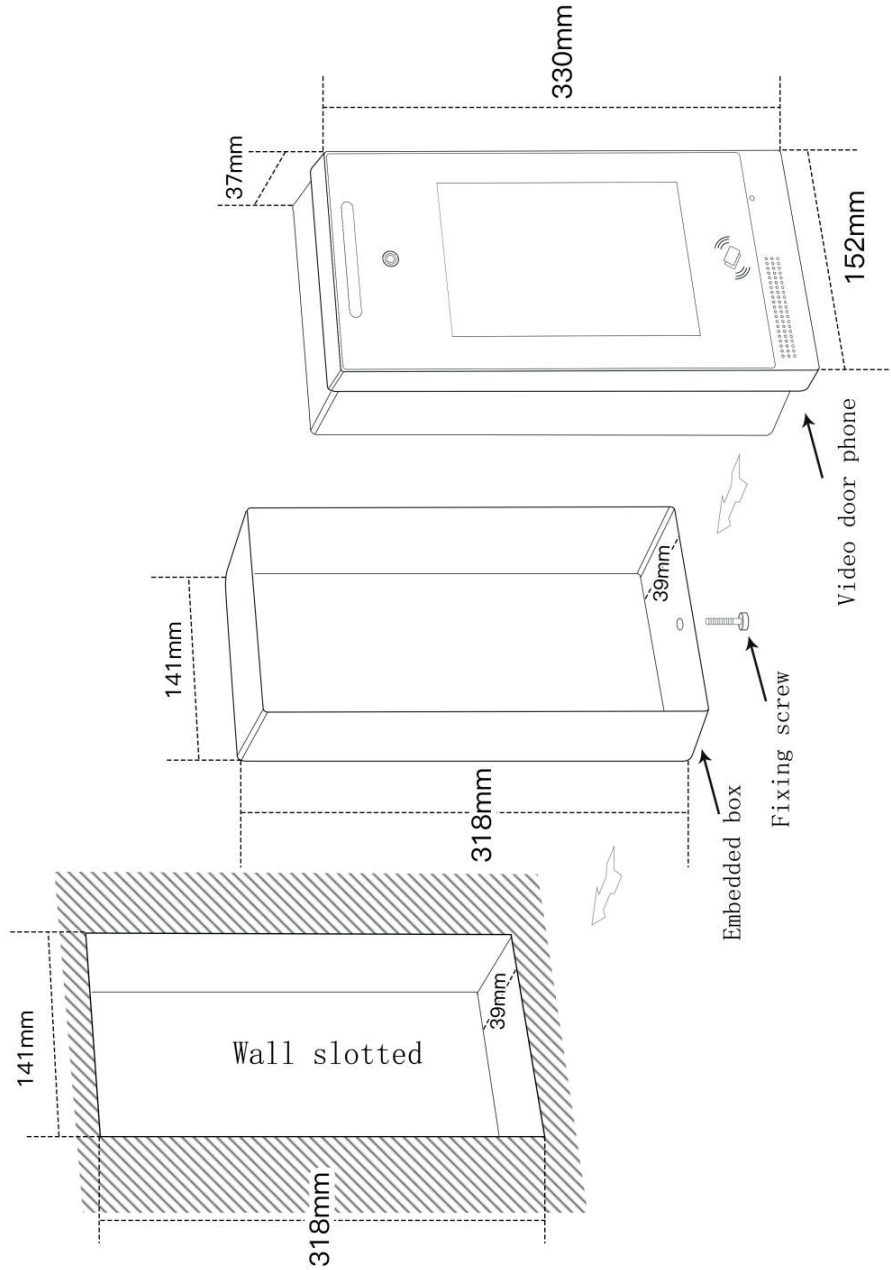
Tamper Alarm
Yes
Duress Alarm
Yes
Door Sensor Timeout
Yes

General

Ingress Protection
IP66
Power Supply
Optional
Power Supply Mode
DC 12V/2A
Power Consumption
≤24.0W
Product Dimensions
330mm×152mm×37mm
Packaging Dimensions
413mm×182mm×104mm
Operating Temperature
-20°C to +60°C (-4°F to + 140°F)
Operating Humidity
10%RH-90%RH
Operating Altitude
86kPa to 106kPa
Gross Weight
1.91 kg (4.21 lb)
Accessory
Mount plate
Installation Method
Surface mount and flush mount
Operating Environment
Outdoor
VTO7 Series DHI-VTO7521G
Ordering Information

Dimensions

8 Inch Digital Outdoor Station | PRO VTO7521G



Revision	V: 001	Revision Date:	10/01/2024
Paper Size	A4	Release Date:	10/01/2024

