



PRS-YT/BD Series

Explosion-proof Integrated Camera

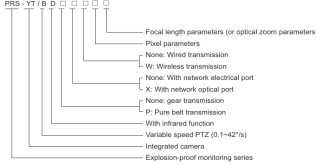
8

Camera
PRS-YT/BD Series Explosion-proof Integrated
Camera



- ◆ Explosion protection to
- IGENELEC
- IEC
- ◆ Can be used in
Zone 1 and Zone 2
Zone 21 and Zone 22

■ Catalogue number logic



■ Product characteristics

- ◆ The explosion-proof integrated camera is used as a fixed terminal in the intelligent video surveillance system for on-site video image perception upload and other functions; the device has a variety of intelligent behavioral detection; support the linkage action of multiple trigger rules;
- ◆ Suitable for all-round monitoring of key areas; the product supports horizontal 360° rotating and vertical 90° rotating;
- ◆ Intelligent temperature control devices can be installed inside, and the product can be applied to -60°C to +63°C harsh working conditions;
- ◆ The camera is configured with wireless module for connecting with the platform by using 4G, 5G, WIFI, and other wireless networks and Internet networks.

Zones 1&2; 21&22

8/26

General Catalogue 01 01 2025

Key Features

- Zones 1&2; 21&22
- ◆ Explosion protection to
- Can be used in ◆
- Zone 1 and Zone 2
- Zone 21 and Zone 22
- ■ Catalogue number logic

Redesigned technical summary in Hikvision-style table layout. All original pages are appended after this branded section to preserve the exact original model numbers, specifications, diagrams, and descriptions.

Technical Specifications

Category	Parameter	Value
General	8/26	Zones 1&2; 21&22
Camera	PRS-YT/BD	Series Explosion-proof Integrated ◆ Explosion protection to
Can be used in ◆	Zone	1 and Zone 2
	Zone	21 and Zone 22
	■ Catalogue number logic	PRS - YT / B D ■ ■ ■ ■ ■ ■ ■ ■
	Focal	length parameters (or optical zoom parameters)
W: Wireless transmission	None: With network electrical port	X: With network optical port
With infrared function	Variable	speed PTZ (0.1~42°/s)
Integrated camera	Explosion-proof	monitoring series ◆ The explosion-proof integrated camera is used as a fixed terminal
	image	perception upload and other functions; the device has a variety of intelligent behavioral
	of multiple	trigger rules; ◆ Suitable for all-round monitoring of key areas; the product supports hori
	conditions;	◆ The camera is configured with wireless module for connecting with the platform by us
	networks	and Internet networks.
	8/27	Dimension drawings (all dimensions in mm) - subject to alteration ■ oduct characteristi
PRS-YT/BD wired transmission	PRS-YT/BDW	wireless transmission
Camera	BJK-YT/BD	Series Explosion-proof Integrated Camera
Explosion protection	60■~-+63■Ambient temperature	Explosion-proof camera (Ex db IIC)

Category	Parameter	Value
	IP66Degree	of protection
Certificates IECEx; ATEX	IECEx	TUR 22.0054XGlobal (IECEx)
	Gas	and dust Ex db IIC T6 Gb
	Ex tb	IIC T80■ Db
	Weight	30kg
	Installation	method Fixed bracket, base, column
	Rated	voltage 264VAC to 176VAC, 132VAC to 88VAC, 24VAC or 24VDC
	Resolution	2 million pixels
	3 million pixels	4 million pixels
Minimum illumination	Video	coding format H.265, H.264, H.264B, MJPEG
	Wireless	module Support 4G, 5G, WIFI connection
	Color	≤0.001lx (AGC ON)
	Black	& White ≤0.0001lx (AGC ON)
	Cable	gland M25×1.5 or NPT 3/4" inlet port, suitable for Φ10mm~Φ14mm cable
	Angle	adjustment Horizontal 360° rotation, vertical -90°~+90° rotation
	Infrared	fill light distance 30m, 50m, 100m
	■30	■
	4-Φ9 Through	Φ208.5
Installation dimensions	IEC	60079-0, IEC 60079-1, IEC 60079-31
	EN 60079-0IEC	, EN 60079-1, EN 60079-31Conformity to standards
	II III	82 D Ex tb C T 0■ Db
	Gas	and dust II 2 G Ex T Gb db IIC 6
Europe (ATEX)	Housing	material 304 stainless steel or 316 or 316L
	TUV	22 ATEX 8884 X
	8/26	Zones 1&2; 21&22

See appended original pages for the remaining specification detail, dimensional drawings, accessories, and diagrams.

Camera

PRS-YT/BD Series Explosion-proof Integrated Camera

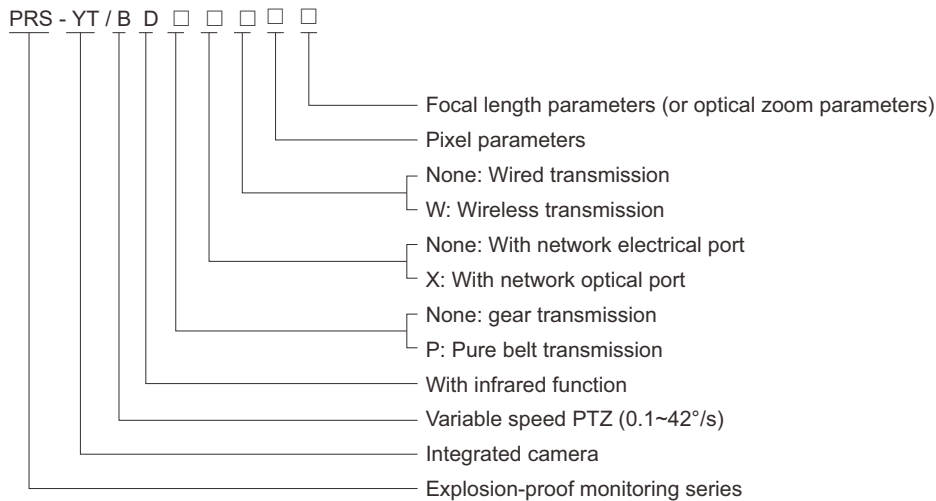


PRS-YT/BD wired transmission

PRS-YT/BDW wireless transmission

- ◆ Explosion protection to
 - CENELEC
 - IEC
- ◆ Can be used in
 - Zone 1 and Zone 2
 - Zone 21 and Zone 22

Catalogue number logic



Product characteristics

- ◆ The explosion-proof integrated camera is used as a fixed terminal in the intelligent video surveillance system for on-site video image perception upload and other functions; the device has a variety of intelligent behavioral detection; support the linkage action of multiple trigger rules;
- ◆ Suitable for all-round monitoring of key areas; the product supports horizontal 360° rotating and vertical ±90° rotating;
- ◆ Intelligent temperature control devices can be installed inside, and the product can be applied to -60 to +63 harsh working conditions;
- ◆ The camera is configured with wireless module for connecting with the platform by using 4G, 5G, WIFI, and other wireless networks and Internet networks.

Zones 1&2; 21&22

Camera

PRS-YT/BD Series Explosion-proof Integrated Camera

Technical data	
Explosion-proof camera (Ex db IIC)	PRS-YT/BD □□□□
Explosion protection	
Global (IECEX)	IECEX TUR 22.0054X
Gas and dust	Ex db IIC T6 Gb Ex tb IIIC T80 Db
Europe (ATEX)	TÜV 22 ATEX 8884 X
Gas and dust	⊕ II 2 G Ex db IIC T6 Gb ⊕ II 2 D Ex tb IIIC T80 Db
Certificates	IECEX; ATEX
Conformity to standards	EN IEC 60079-0, EN 60079-1, EN 60079-31 IEC 60079-0, IEC 60079-1, IEC 60079-31
Rated voltage	264VAC to 176VAC, 132VAC to 88VAC, 24VAC or 24VDC
Resolution	2 million pixels 3 million pixels 4 million pixels
Minimum illumination	
Color	≤0.001lx (AGC ON)
Black & White	≤0.0001lx (AGC ON)
Infrared fill light distance	30m, 50m, 100m
Video coding format	H.265, H.264, H.264B, MJPEG
Angle adjustment	Horizontal 360° rotation, vertical -90°~+90° rotation
Wireless module	Support 4G, 5G, WIFI connection
Housing material	304 stainless steel or 316 or 316L
Degree of protection	IP66
Ambient temperature	-60 ~+63
Cable gland	M25×1.5 or NPT 3/4" inlet port, suitable for Φ10mm~Φ14mm cable
Installation method	Fixed bracket, base, column
Weight	30kg

Dimension drawings (all dimensions in mm) - subject to alteration

